

# pST44 plasmid suite

Tan, Kern & Selleck, Prot. Expr. Purif.,  
40:385-395, 2005

plasmid **pST50Tr-HISDHFR**

cassette 1 coding region 143 to 667

location on DNA card A1

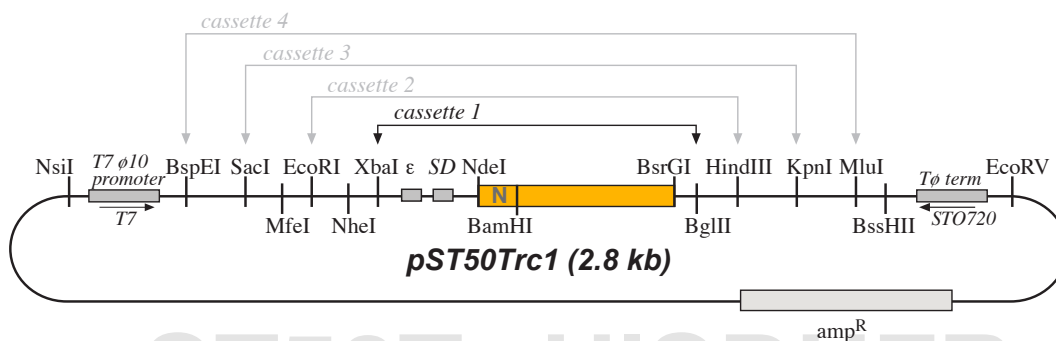
N-term tag 143 to 178

plasmid # 1

antibiotic resistance ampicillin

antib. resist. coding region 978 to 1839

plasmid map:



pST50Tr-HISDHFR

**sequence** pST50Tr-HISDHFR Length: 3328 Type: N Check: 4087 ..  
(first 800 bp)

```
1 GGCACCATGC ATCGATCCCG CGAAATTAAT ACGACTCACT ATAGGGAGAC
51 CACAACGGTT TCCCTCCGGC TCCGGAGAGC TCCAATTGGA ATTCGCTAGC
101 TCTAGAAATA ATTTTGTTTA ACTTTAAGAA GGAGATATAC ATATGGGCAG
151 CAGCCATCAT CATCATCATC ACAGCAGCGG ATCCATCAGT CTGATTGCGG
201 CGTAGCGGT AGATCGCGTT ATCGGCATGG AAAACGCCAT GCCATGGAAC
251 CTGCCTGCCG ATCTCGCCTG GTTTAAACGC AACACCTTAA ATAAACCCGT
301 GATTATGGGG CGCCATACCT GGAATCAAT CGGTAGGCCT TTGCCCGGCC
351 GCAAAAATAT TATCCTCAGC AGTCAACCCG GGACCGATGA TCGGGTTACC
401 TGGGTAAAT CGGTGACGA AGCCATCGCG GCGTGTGGTG ACGTACCAGA
451 AATCATGGTG ATTGGCGGCG GACGCGTTTA TGAACAGTTC TTGCCAAAAG
501 CGCAAAAAC TATCTGACG CATATCGATG CAGAAGTGA AGGCGACACC
551 CATTTTCCGG ATTACGAGCC GGATGACTGG GAATCGGTAT TCAGCGAATT
601 CCACGATGCT GATGCGCAGA ACTCGCATAG CTATTGTTTC GAAATCCTCG
651 AGCGTCGTGC CGGCTAATGT ACAAGATCCA GATCTAAGCT TGGTACCACG
701 CGTGCGCGCT GATCCGGCTG CTAACAAAGC CCGAAAGGAA GCTGAGTTGG
751 CTGCTGCCAC CGCTGAGCAA TAACTAGCAT AACCCCTTGG GGCCTCTAAA
```

# pST44 plasmid suite

Tan, Kern & Selleck, Prot. Expr. Purif.,  
40:385-395, 2005

plasmid **pST50Tr-CBPDHFR**

cassette 1 coding region 143 to 718

location on DNA card A2

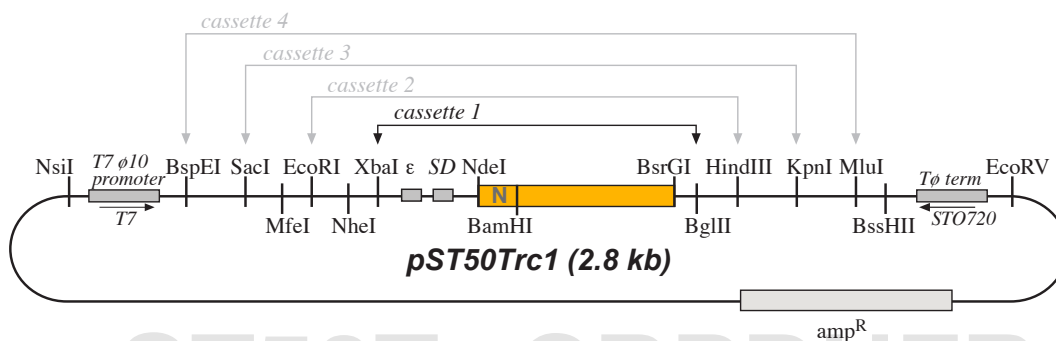
N-term tag 143 to 229

plasmid # 2

antibiotic resistance ampicillin

antib. resist. coding region 1029 to 1890

plasmid map:



pST50Tr-CBPDHFR

**sequence** pST50Tr-CBPDHFR Length: 3379 Type: N Check: 304 ..  
(first 800 bp)

```
1 GGCACCATGC ATCGATCCCG CGAAATTAAT ACGACTCACT ATAGGGAGAC
51 CACAACGGTT TCCCTCCGGC TCCGGAGAGC TCCAATTGGA ATTCGCTAGC
101 TCTAGAAATA ATTTTGTTTA ACTTTAAGAA GGAGATATAC ATATGTCTAA
151 GCGACGATGG AAAAAGAATT TCATAGCCGT CTCAGCAGCC AACCGCTTTA
201 AGAAAATCTC ATCCTCCGGG GCACTTCTGG GATCCATCAG TCTGATTGCG
251 GCGCTAGCGG TAGATCGCGT TATCGGCATG GAAAACGCCA TGCCATGGAA
301 CCTGCCTGCC GATCTCGCCT GGTTTAAACG CAACACCTTA AATAAACCCG
351 TGATTATGGG GCGCCATACC TGGGAATCAA TCGGTAGGCC TTTGCCCGGC
401 CGCAAAAATA TTATCCTCAG CAGTCAACCC GGGACCGATG ATCGGGTTAC
451 CTGGGTAAA TCGGTCGACG AAGCCATCGC GCGTGTGGT GACGTACCAG
501 AAATCATGGT GATTGGCGGC GGACGCGTTT ATGAACAGTT CTTGCCAAAA
551 GCGCAAAAAC TGTATCTGAC GCATATCGAT GCAGAAGTGG AAGGCGACAC
601 CCATTTTCCG GATTACGAGC CGGATGACTG GGAATCGGTA TTCAGCGAAT
651 TCCACGATGC TGATGCGCAG AACTCGCATA GCTATTGTTT CGAAATCCTC
701 GAGCGTCGTG CCGGCTAATG TACAAGATCC AGATCTAAGC TTGGTACCAC
751 GCGTGCGCGC TGATCCGGCT GCTAACAAG CCCGAAAGGA AGCTGAGTTG
```

# pST44 plasmid suite

Tan, Kern & Selleck, Prot. Expr. Purif.,  
40:385-395, 2005

plasmid **pST50Tr-STRDHFR**

cassette 1 coding region 143 to 664

location on DNA card A3

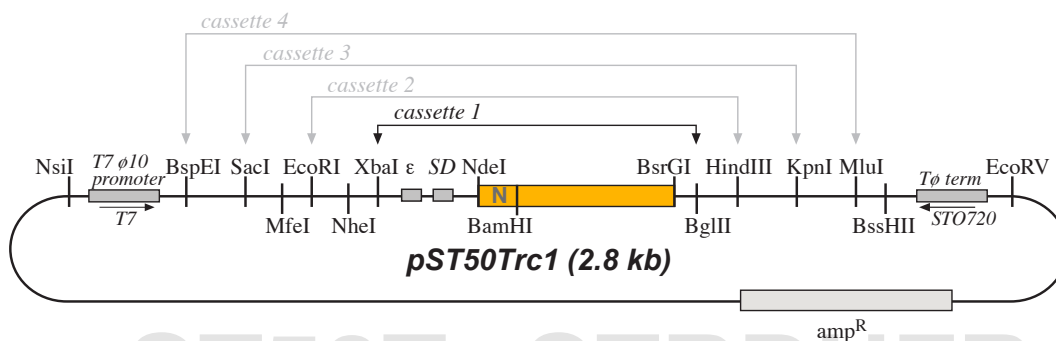
N-term tag 143 to 175

plasmid # 3

antibiotic resistance ampicillin

antib. resist. coding region 975 to 1836

plasmid map:



pST50Tr-STRDHFR

**sequence** pST50Tr-STRDHFR Length: 3325 Type: N Check: 248 ..  
(first 800 bp)

```
1 GGCACCATGC ATCGATCCCG CGAAATTAAT ACGACTCACT ATAGGGAGAC
51 CACAACGGTT TCCCTCCGGC TCCGGAGAGC TCCAATTGGA ATTCGCTAGC
101 TCTAGAAATA ATTTTGTTTA ACTTTAAGAA GGAGATATAC ATATGGCAAG
151 CTGGAGCCAC CCGCAGTTCG AGAAAGGATC CATCAGTCTG ATTGCGGCGC
201 TAGCGGTAGA TCGCGTTATC GGCATGGAAA ACGCCATGCC ATGGAACCTG
251 CCTGCCGATC TCGCCTGGTT TAAACGCAAC ACCTTAAATA AACCCGTGAT
301 TATGGGGCGC CATACTGGG AATCAATCGG TAGGCCTTTG CCCGGCCGCA
351 AAAATATTAT CCTCAGCAGT CAACCCGGGA CCGATGATCG GGTTACCTGG
401 GTTAAATCGG TCGACGAAGC CATCGCGGCG TGTGGTGACG TACCAGAAAT
451 CATGGTGATT GGC GGCGGAC GCGTTTATGA ACAGTTCTTG CAAAAGCGC
501 AAAA ACTGTA TCTGACGCAT ATCGATGCAG AAGTGAAGG CGACACCCAT
551 TTTCCGGATT ACGAGCCGGA T GACTGGGAA TCGGTATTCA GCGAATTCCA
601 CGATGCTGAT GCGCAGAACT CGCATAGCTA TTGTTTCGAA ATCCTCGAGC
651 GTCGTGCCGG CTAATGTACA AGATCCAGAT CTAAGCTTGG TACCACGCGT
701 GCGCGCTGAT CCGGCTGCTA ACAAAGCCCG AAAGGAAGCT GAGTTGGCTG
751 CTGCCACCGC TGAGCAATAA CTAGCATAAC CCCTTGGGGC CTCTAAACGG
```

# pST44 plasmid suite

Tan, Kern & Selleck, Prot. Expr. Purif.,  
40:385-395, 2005

plasmid **pST50Tr-FLAGDHFR**

cassette 1 coding region 143 to 661

location on DNA card A4

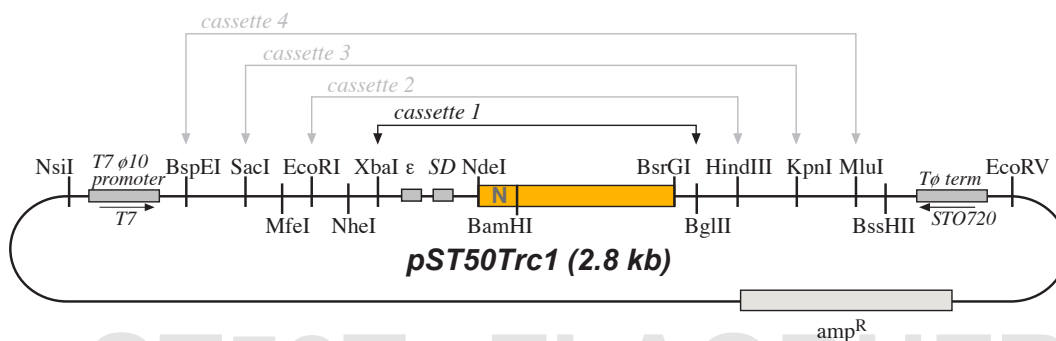
N-term tag 143 to 172

plasmid # 4

antibiotic resistance ampicillin

antib. resist. coding region 972 to 1833

plasmid map:



pST50Tr-FLAGDHFR

**sequence** pST50Tr-FLAGDHFR Length: 3322 Type: N Check: 9757 ..  
(first 800 bp)

```
1 GGCACCATGC ATCGATCCCG CGAAATTAAT ACGACTCACT ATAGGGAGAC
51 CACAACGGTT TCCCTCCGGC TCCGGAGAGC TCCAATTGGA ATTCGCTAGC
101 TCTAGAAATA ATTTTGTTTA ACTTTAAGAA GGAGATATAC ATATGGGAGA
151 CTACAAGGAC GATGATGACA AGGGATCCAT CAGTCTGATT GCGGCGCTAG
201 CGGTAGATCG CGTTATCGGC ATGGAAAACG CCATGCCATG GAACCTGCCT
251 GCCGATCTCG CCTGGTTTAA ACGCAACACC TTAAATAAAC CCGTGATTAT
301 GGGGCGCCAT ACCTGGAAT CAATCGGTAG GCCTTTGCCC GGCCGCAAAA
351 ATATTATCCT CAGCAGTCAA CCCGGGACCG ATGATCGGGT TACCTGGGTT
401 AAATCGGTGC ACGAAGCCAT CGCGGCGTGT GGTGACGTAC CAGAAATCAT
451 GGTGATTGGC GCGGACGCG TTTATGAACA GTTCTTGCCA AAAGCGCAAA
501 AACTGTATCT GACGCATATC GATGCAGAAG TGGAAGGCGA CACCCATTTT
551 CCGGATTACG AGCCGGATGA CTGGGAATCG GTATTCAGCG AATTCCACGA
601 TGCTGATGCG CAGAACTCGC ATAGCTATTG TTTCGAAATC CTCGAGCGTC
651 GTGCCGGCTA ATGTACAAGA TCCAGATCTA AGCTTGGTAC CACGCGTGCG
701 CGCTGATCCG GCTGCTAACA AAGCCCGAAA GGAAGCTGAG TTGGCTGCTG
751 CCACCGCTGA GCAATAACTA GCATAACCCC TTGGGCCTC TAAACGGGTC
```

# pST44 plasmid suite

Tan, Kern & Selleck, Prot. Expr. Purif.,  
40:385-395, 2005

plasmid **pST50Tr-HPCDHFR**

cassette 1 coding region 143 to 673

location on DNA card A5

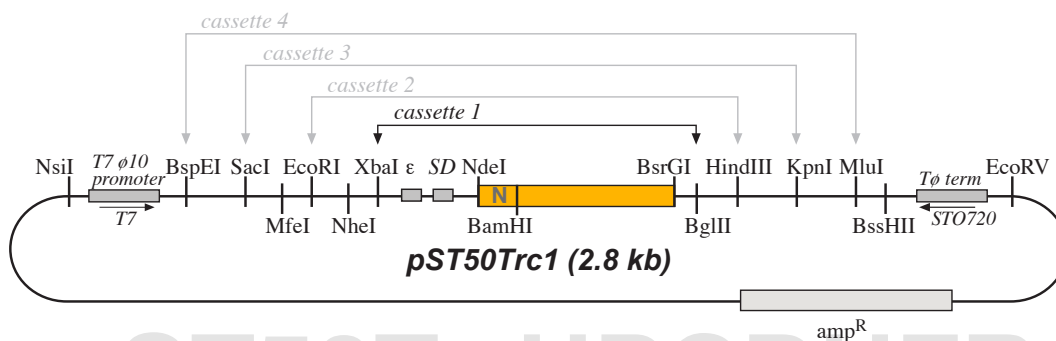
N-term tag 143 to 184

plasmid # 5

antibiotic resistance ampicillin

antib. resist. coding region 984 to 1845

plasmid map:



pST50Tr-HPCDHFR

**sequence** pST50Tr-HPCDHFR Length: 3334 Type: N Check: 1563 ..  
(first 800 bp)

```
1 GGCACCATGC ATCGATCCCG CGAAATTAAT ACGACTCACT ATAGGGAGAC
51 CACAACGGTT TCCCTCCGGC TCCGGAGAGC TCCAATTGGA ATTCGCTAGC
101 TCTAGAAATA ATTTTGTTTA ACTTTAAGAA GGAGATATAC ATATGTCTGA
151 AGATCAGGTA GATCCACGTT TAATCGACGG TAAAGGATCC ATCAGTCTGA
201 TTGCGGCGCT AGCGGTAGAT CGCGTTATCG GCATGGAAAA CGCCATGCCA
251 TGGAACTGCT CTGCCGATCT CGCCTGGTTT AAACGCAACA CCTTAAATAA
301 ACCCGTGATT ATGGGGCGCC ATACCTGGGA ATCAATCGGT AGGCCTTTGC
351 CCGGCCGCAA AAATATTATC CTCAGCAGTC AACCCGGGAC CGATGATCGG
401 GTTACCTGGG TTAAATCGGT CGACGAAGCC ATCGCGGCGT GTGGTGACGT
451 ACCAGAAATC ATGGTGATTG GCGGCGGACG CGTTTATGAA CAGTTCTTGC
501 CAAAAGCGCA AAAACTGTAT CTGACGCATA TCGATGCAGA AGTGAAGGC
551 GACACCCATT TTCCGATTA CGAGCCGGAT GACTGGGAAT CGGTATTCAG
601 CGAATTCAC GATGCTGATG CGCAGAACTC GCATAGCTAT TGTTTCGAAA
651 TCCTCGAGCG TCGTGCCGGC TAATGTACAA GATCCAGATC TAAGCTTGGT
701 ACCACGCGTG CGCGCTGATC CGGCTGCTAA CAAAGCCCGA AAGGAAGCTG
751 AGTTGGCTGC TGCCACCGCT GAGCAATAAC TAGCATAACC CCTTGGGGCC
```

# pST44 plasmid suite

Tan, Kern & Selleck, Prot. Expr. Purif.,  
40:385-395, 2005

plasmid **pST50Tr-HISNDHFR**

cassette 1 coding region 143 to 706

location on DNA card A6

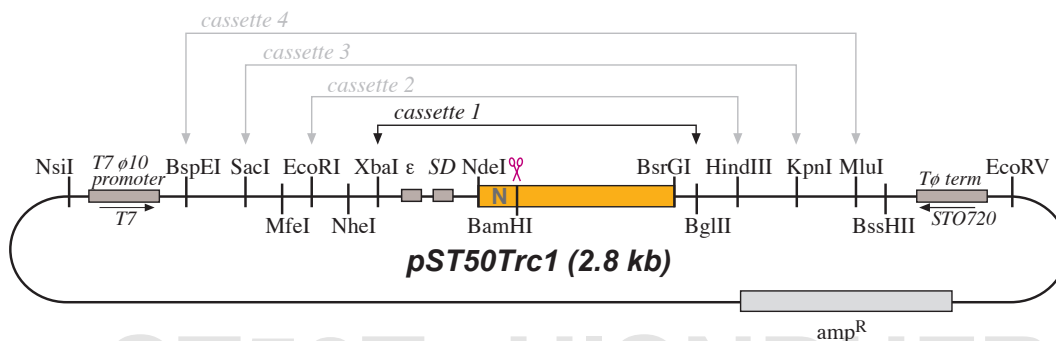
N-term tag 143 to 217

plasmid # 6

antibiotic resistance ampicillin

antib. resist. coding region 1017 to 1878

plasmid map:



pST50Tr-HISNDHFR

**sequence** pST50Tr-HISNDHFR Length: 3367 Type: N Check: 6270 ..  
(first 800 bp)

```
1 GGCACCATGC ATCGATCCCG CGAAATTAAT ACGACTCACT ATAGGGAGAC
51 CACAACGGTT TCCCTCCGGC TCCGGAGAGC TCCAATTGGA ATTCGCTAGC
101 TCTAGAAATA ATTTTGTTTA ACTTTAAGAA GGAGATATAC ATATGGGCAG
151 CAGCCATCAT CATCATCATC ACAGCAGCGG ATCTGGTGGT GGTGGTGGTG
201 AAAACCTGTA CTTCCAGGGA TCCATCAGTC TGATTGCGGC GCTAGCGGTA
251 GATCGCGTTA TCGGCATGGA AAACGCCATG CCATGGAACC TGCCTGCCGA
301 TCTCGCCTGG TTTAAACGCA ACACCTTAAA TAAACCCGTG ATTATGGGGC
351 GCCATACCTG GGAATCAATC GGTAGGCCTT TGCCCGGCCG CAAAAATATT
401 ATCCTCAGCA GTCAACCCGG GACCGATGAT CGGGTTACCT GGGTTAAATC
451 GGTCGACGAA GCCATCGCGG CGTGTGGTGA CGTACCAGAA ATCATGGTGA
501 TTGGCGGCGG ACGCGTTTAT GAACAGTTCT TGCCAAAAGC GCAAAAAC TG
551 TATCTGACGC ATATCGATGC AGAAGTGGAA GGCGACACCC ATTTTCCGGA
601 TTACGAGCCG GATGACTGGG AATCGGTATT CAGCGAATTC CACGATGCTG
651 ATGCGCAGAA CTCGCATAGC TATTGTTTCG AAATCCTCGA GCGTCGTGCC
701 GGCTAATGTA CAAGATCCAG ATCTAAGCTT GGTACCACGC GTGCGCGCTG
751 ATCCGGCTGC TAACAAAGCC CGAAAGGAAG CTGAGTTGGC TGCTGCCACC
```

# pST44 plasmid suite

Tan, Kern & Selleck, Prot. Expr. Purif.,  
40:385-395, 2005

plasmid **pST50Tr-CBPNDHFR**

cassette 1 coding region 143 to 757

location on DNA card A7

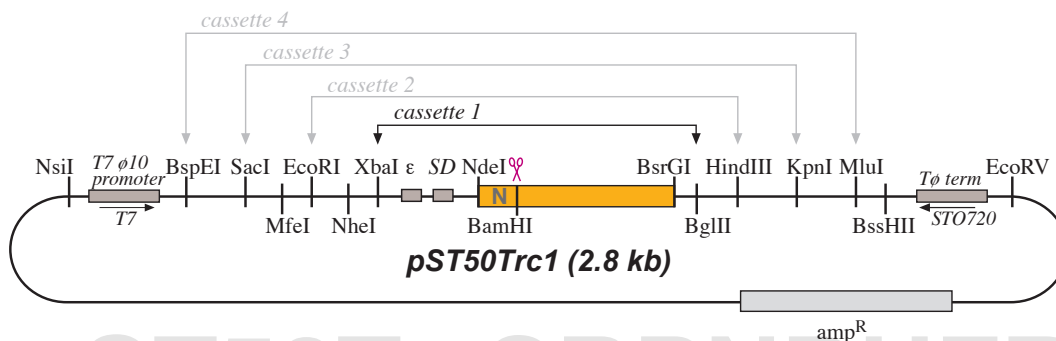
N-term tag 143 to 268

plasmid # 7

antibiotic resistance ampicillin

antib. resist. coding region 1068 to 1929

plasmid map:



**sequence** pST50Tr-CBPNDHFR Length: 3418 Type: N Check: 2087 ..  
(first 800 bp)

```
1 GGCACCATGC ATCGATCCCG CGAAATTAAT ACGACTCACT ATAGGGAGAC
51 CACAACGGTT TCCCTCCGGC TCCGGAGAGC TCCAATTGGA ATTCGCTAGC
101 TCTAGAAATA ATTTTGTTTA ACTTTAAGAA GGAGATATAC ATATGTCTAA
151 GCGACGATGG AAAAAGAATT TCATAGCCGT CTCAGCAGCC AACCGCTTTA
201 AGAAAATCTC ATCCTCCGGG GCACTTCTGG GATCTGGTGG TGGTGGTGGT
251 GAAAACCTGT ACTTCCAGGG ATCCATCAGT CTGATTGCGG CGCTAGCGGT
301 AGATCGCGTT ATCGGCATGG AAAACGCCAT GCCATGGAAC CTGCCTGCCG
351 ATCTCGCCTG GTTTAAACGC AACACCTTAA ATAAACCCGT GATTATGGGG
401 CGCCATACCT GGAATCAAT CGGTAGGCCT TTGCCCGGCC GCAAAAATAT
451 TATCCTCAGC AGTCAACCCG GGACCGATGA TCGGGTTACC TGGGTAAAT
501 CGGTGCACGA AGCCATCGCG GCGTGTGGTG ACGTACCAGA AATCATGGTG
551 ATTGGCGGCG GACGCGTTTA TGAACAGTTC TTGCCAAAAG CGCAAAAAC
601 GTATCTGACG CATATCGATG CAGAAGTGA AGGCGACACC CATTTCCTCGG
651 ATTACGAGCC GGATGACTGG GAATCGGTAT TCAGCGAATT CCACGATGCT
701 GATGCGCAGA ACTCGCATAG CTATTGTTTC GAAATCCTCG AGCGTCGTGC
751 CGGCTAATGT ACAAGATCCA GATCTAAGCT TGGTACCACG CGTGCGCGCT
```

# pST44 plasmid suite

Tan, Kern & Selleck, Prot. Expr. Purif.,  
40:385-395, 2005

plasmid **pST50Tr-STRNDHFR**

cassette 1 coding region 143 to 703

location on DNA card A8

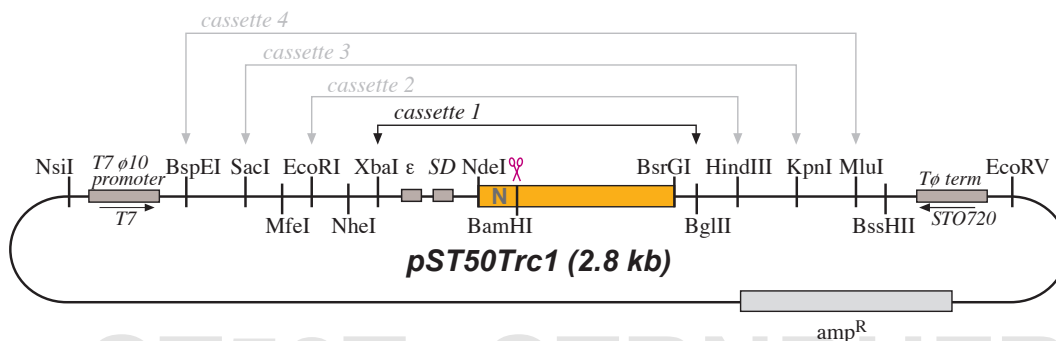
N-term tag 143 to 214

plasmid # 8

antibiotic resistance ampicillin

antib. resist. coding region 1014 to 1875

plasmid map:



pST50Tr-STRNDHFR

**sequence** pST50Tr-STRNDHFR Length: 3364 Type: N Check: 7174 ..  
(first 800 bp)

```
1 GGCACCATGC ATCGATCCCG CGAAATTAAT ACGACTCACT ATAGGGAGAC
51 CACAACGGTT TCCCTCCGGC TCCGGAGAGC TCCAATTGGA ATTCGCTAGC
101 TCTAGAAATA ATTTTGTTTA ACTTTAAGAA GGAGATATAC ATATGGCAAG
151 CTGGAGCCAC CCGCAGTTCG AGAAAGGATC TGGTGGTGGT GGTGGTGAAA
201 ACCTGTA C TCCAGGGATCC ATCAGTCTGA TTGCGGCGCT AGCGGTAGAT
251 CGCGTTATCG GCATGGAAAA CGCCATGCCA TGGAACCTGC CTGCCGATCT
301 CGCCTGGTTT AAACGCAACA CCTTAAATAA ACCCGTGATT ATGGGGCGCC
351 ATACCTGGGA ATCAATCGGT AGGCCTTTGC CCGGCCGCAA AAATATTATC
401 CTCAGCAGTC AACCCGGGAC CGATGATCGG GTTACCTGGG TTAAATCGGT
451 CGACGAAGCC ATCGCGGCGT GTGGTGACGT ACCAGAAATC ATGGTGATTG
501 GCGGCGGACG CGTTTATGAA CAGTTCTTGC CAAAAGCGCA AAAACTGTAT
551 CTGACGCATA TCGATGCAGA AGTGGAAGGC GACACCCATT TTCCGGATTA
601 CGAGCCGGAT GACTGGGAAT CGGTATTCAG CGAATTCCAC GATGCTGATG
651 CGCAGAACTC GCATAGCTAT TGTTTCGAAA TCCTCGAGCG TCGTGCCGGC
701 TAATGTACAA GATCCAGATC TAAGCTTGGT ACCACGCGTG CGCGCTGATC
751 CGGCTGCTAA CAAAGCCCGA AAGGAAGCTG AGTTGGCTGC TGCCACCGCT
```

# pST44 plasmid suite

Tan, Kern & Selleck, Prot. Expr. Purif.,  
40:385-395, 2005

plasmid **pST50Tr-FLAGNDHFR**

cassette 1 coding region 143 to 700

location on DNA card A9

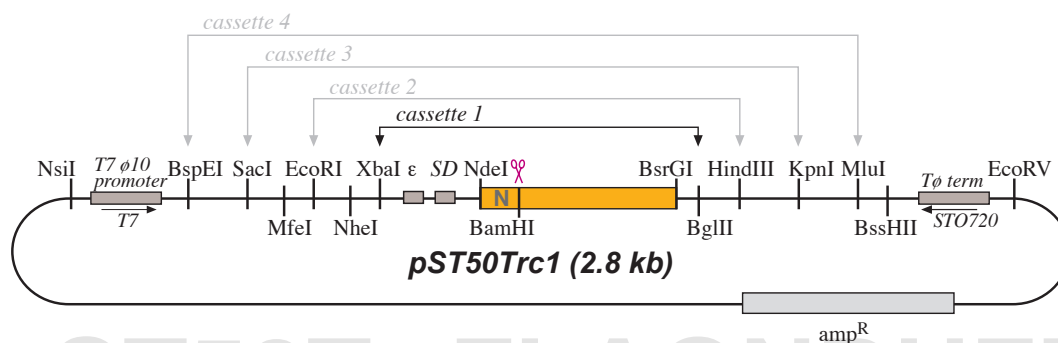
N-term tag 143 to 211

plasmid # 9

antibiotic resistance ampicillin

antib. resist. coding region 1011 to 1872

plasmid map:



pST50Tr-FLAGNDHFR

**sequence** pST50Tr-FLAGNDHFR Length: 3361 Type: N Check: 1540 ..  
(first 800 bp)

```
1 GGCACCATGC ATCGATCCCG CGAAATTAAT ACGACTCACT ATAGGGAGAC
51 CACAACGGTT TCCCTCCGGC TCCGGAGAGC TCCAATTGGA ATTCGCTAGC
101 TCTAGAAATA ATTTTGTTTA ACTTTAAGAA GGAGATATAC ATATGGGAGA
151 CTACAAGGAC GATGATGACA AGGGATCTGG TGGTGGTGGT GGTGAAAACC
201 TGTAATTCCA GGGATCCATC AGTCTGATTG CGGCGCTAGC GGTAGATCGC
251 GTTATCGGCA TGGAAAACGC CATGCCATGG AACCTGCCTG CCGATCTCGC
301 CTGGTTTAAA CGCAACACCT TAAATAAACC CGTGATTATG GGGCGCCATA
351 CCTGGGAATC AATCGGTAGG CCTTTGCCCC GCCGCAAAAA TATTATCCTC
401 AGCAGTCAAC CCGGACCGA TGATCGGGTT ACCTGGGTTA AATCGGTCGA
451 CGAAGCCATC GCGGCGTGTG GTGACGTACC AGAAATCATG GTGATTGGCG
501 GCGGACGCGT TTATGAACAG TTCTTGCCAA AAGCGCAAAA ACTGTATCTG
551 ACGCATATCG ATGCAGAAGT GGAAGGCGAC ACCCATTTCG CGGATTACGA
601 GCCGGATGAC TGGGAATCGG TATTCAGCGA ATTCCACGAT GCTGATGCGC
651 AGAACTCGCA TAGCTATTGT TTCGAAATCC TCGAGCGTCG TGCCGGCTAA
701 TGTACAAGAT CCAGATCTAA GCTTGGTACC ACGCGTGCGC GCTGATCCGG
751 CTGCTAACAA AGCCCAGAAAG GAAGCTGAGT TGGCTGCTGC CACCGCTGAG
```

# pST44 plasmid suite

Tan, Kern & Selleck, Prot. Expr. Purif.,  
40:385-395, 2005

plasmid **pST50Tr-HPCNDHFR**

cassette 1 coding region 143 to 712

location on DNA card A10

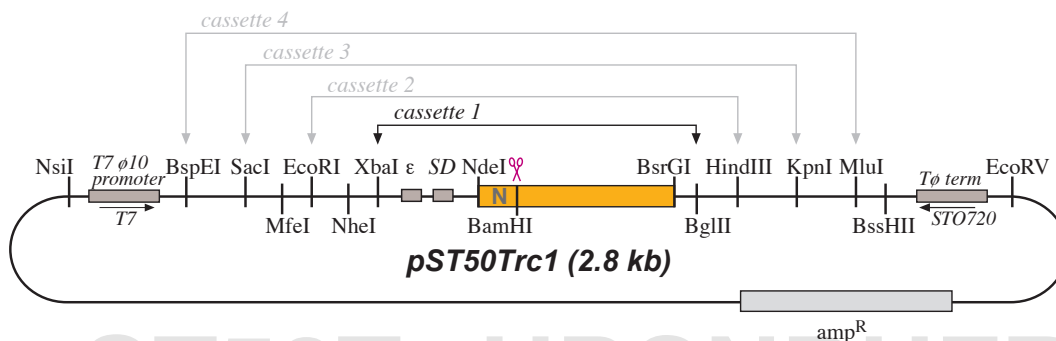
N-term tag 143 to 223

plasmid # 10

antibiotic resistance ampicillin

antib. resist. coding region 1023 to 1884

plasmid map:



**sequence** pST50Tr-HPCNDHFR Length: 3373 Type: N Check: 434 ..  
(first 800 bp)

```
1 GGCACCATGC ATCGATCCCG CGAAATTAAT ACGACTCACT ATAGGGAGAC
51 CACAACGGTT TCCCTCCGGC TCCGGAGAGC TCCAATTGGA ATTCGCTAGC
101 TCTAGAAATA ATTTTGTTTA ACTTTAAGAA GGAGATATAC ATATGTCTGA
151 AGATCAGGTA GATCCACGTT TAATCGACGG TAAAGGATCT GGTGGTGGTG
201 GTGGTGAAAA CCTGTACTTC CAGGGATCCA TCAGTCTGAT TGCGGCGCTA
251 GCGGTAGATC GCGTTATCGG CATGGAAAAC GCCATGCCAT GGAACCTGCC
301 TGCCGATCTC GCCTGGTTTA AACGCAACAC CTTAAATAAA CCCGTGATTA
351 TGGGGCGCCA TACCTGGGAA TCAATCGGTA GGCCTTTGCC CGGCCGCAAA
401 AATATTATCC TCAGCAGTCA ACCCGGGACC GATGATCGGG TTACCTGGGT
451 TAAATCGGTC GACGAAGCCA TCGCGGCGTG TGGTGACGTA CCAGAAATCA
501 TGGTGATTGG CGGCGGACGC GTTTATGAAC AGTTCTTGCC AAAAGCGCAA
551 AAAGTGTATC TGACGCATAT CGATGCAGAA GTGGAAGGCG ACACCCATTT
601 TCCGATTAC GAGCCGGATG ACTGGAATC GGTATTCAGC GAATTCCACG
651 ATGCTGATGC GCAGAACTCG CATAGCTATT GTTTCGAAAT CCTCGAGCGT
701 CGTGCCGGCT AATGTACAAG ATCCAGATCT AAGCTTGGTA CCACGCGTGC
751 GCGCTGATCC GGCTGCTAAC AAAGCCCGAA AGGAAGCTGA GTTGGCTGCT
```

# pST44 plasmid suite

Tan, Kern & Selleck, Prot. Expr. Purif.,  
40:385-395, 2005

plasmid **pST50Tr-CBPHISNDHFR**

cassette 1 coding region 143 to 796

location on DNA card A11

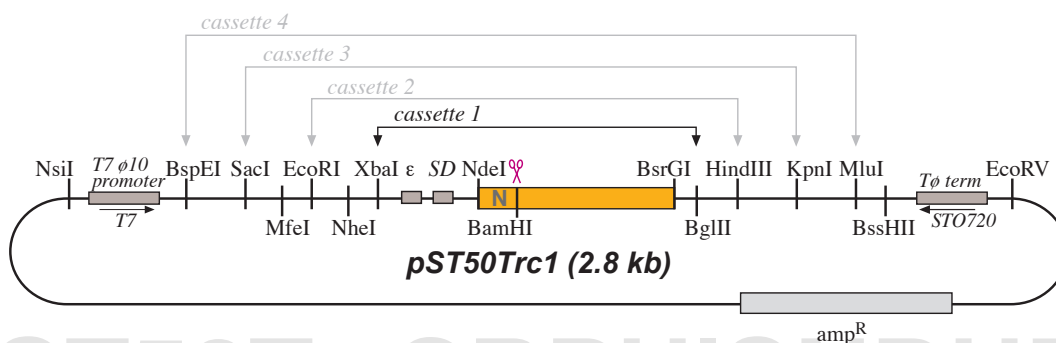
N-term tag 143 to 307

plasmid # 11

antibiotic resistance ampicillin

antib. resist. coding region 1107 to 1968

plasmid map:



pST50Tr-CBPHISNDHFR

**sequence** pST50Tr-CBPHISNDHFR Length: 3457 Type: N Check: 9764 ..  
(first 800 bp)

```
1 GGCACCATGC ATCGATCCCG CGAAATTAAT ACGACTCACT ATAGGGAGAC
51 CACAACGGTT TCCCTCCGGC TCCGGAGAGC TCCAATTGGA ATTCGCTAGC
101 TCTAGAAATA ATTTTGTTTA ACTTTAAGAA GGAGATATAC ATATGTCTAA
151 GCGACGATGG AAAAAGAATT TCATAGCCGT CTCAGCAGCC AACCGCTTTA
201 AGAAAATCTC ATCCTCCGGG GCACTTCTGG GATCTGGCAG CAGCCATCAT
251 CATCATCATC ACAGCAGCGG ATCTGGTGGT GGTGGTGGTG AAAACCTGTA
301 CTTCCAGGGA TCCATCAGTC TGATTGCGGC GCTAGCGGTA GATCGCGTTA
351 TCGGCATGGA AAACGCCATG CCATGGAACC TGCCTGCCGA TCTCGCCTGG
401 TTAAACGCA ACACCTTAA TAAACCCGTG ATTATGGGGC GCCATACCTG
451 GGAATCAATC GGTAGGCCTT TGCCC GGCCG CAAAATATT ATCCTCAGCA
501 GTCAACCCGG GACCGATGAT CGGGTTACCT GGTGTTAAATC GGTCGACGAA
551 GCCATCGCGG CGTGTGGTGA CGTACCAGAA ATCATGGTGA TTGGCGGCGG
601 ACGCGTTTAT GAACAGTTCT TGCCAAAAGC GCAAAAAGT TATCTGACGC
651 ATATCGATGC AGAAGTGGAA GCGGACACCC ATTTTCCGGA TTACGAGCCG
701 GATGACTGGG AATCGGTATT CAGCGAATTC CACGATGCTG ATGCGCAGAA
751 CTCGCATAGC TATTGTTTCG AAATCCTCGA GCGTCGTGCC GGCTAATGTA
```

# pST44 plasmid suite

Tan, Kern & Selleck, Prot. Expr. Purif.,  
40:385-395, 2005

plasmid **pST50Tr-STRHISNDHFR**

cassette 1 coding region 143 to 736

location on DNA card A12

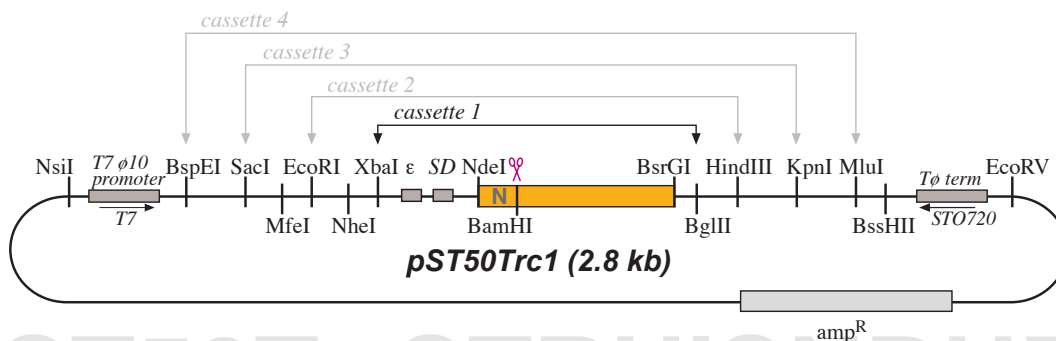
N-term tag 143 to 247

plasmid # 12

antibiotic resistance ampicillin

antib. resist. coding region 1047 to 1908

plasmid map:



pST50Tr-STRHISNDHFR

**sequence** pST50Tr-STRHISNDHFR Length: 3397 Type: N Check: 870 ..  
(first 800 bp)

```
1 GGCACCATGC ATCGATCCCG CGAAATTAAT ACGACTCACT ATAGGGAGAC
51 CACAACGGTT TCCCTCCGGC TCCGGAGAGC TCCAATTGGA ATTCGCTAGC
101 TCTAGAAATA ATTTTGTTTA ACTTTAAGAA GGAGATATAC ATATGGCAAG
151 CTGGAGCCAC CCGCAGTTCG AGAAAGGATC TAGCCATCAT CATCATCATC
201 ACAGCAGCGG ATCTGGTGGT GGTGGTGGT AAAACCTGTA CTTCCAGGGA
251 TCCATCAGTC TGATTGCGGC GCTAGCGGTA GATCGCGTTA TCGGCATGGA
301 AAACGCCATG CCATGGAACC TGCCTGCCGA TCTCGCCTGG TTAAACGCA
351 ACACCTTAAA TAAACCGTG ATTATGGGGC GCCATACCTG GGAATCAATC
401 GGTAGGCCTT TGCCCGGCCG CAAAATATT ATCCTCAGCA GTCAACCCGG
451 GACCGATGAT CGGGTTACCT GGGTTAAATC GGTCGACGAA GCCATCGCGG
501 CGTGTGGTGA CGTACCAGAA ATCATGGTGA TTGGCGGCGG ACGCGTTTAT
551 GAACAGTTCT TGCCAAAAGC GCAAAAACCTG TATCTGACGC ATATCGATGC
601 AGAAGTGGAA GGCACACCC ATTTTCCGGA TTACGAGCCG GATGACTGGG
651 AATCGGTATT CAGCGAATTC CACGATGCTG ATGCGCAGAA CTCGCATAGC
701 TATTGTTTCG AAATCCTCGA GCGTCGTGCC GGCTAATGTA CAAGATCCAG
751 ATCTAAGCTT GGTACCACGC GTGCGCGCTG ATCCGGCTGC TAACAAAGCC
```

# pST44 plasmid suite

Tan, Kern & Selleck, Prot. Expr. Purif.,  
40:385-395, 2005

plasmid **pST50Tr-FLAGHISNDHFR**

cassette 1 coding region 143 to 739

location on DNA card B1

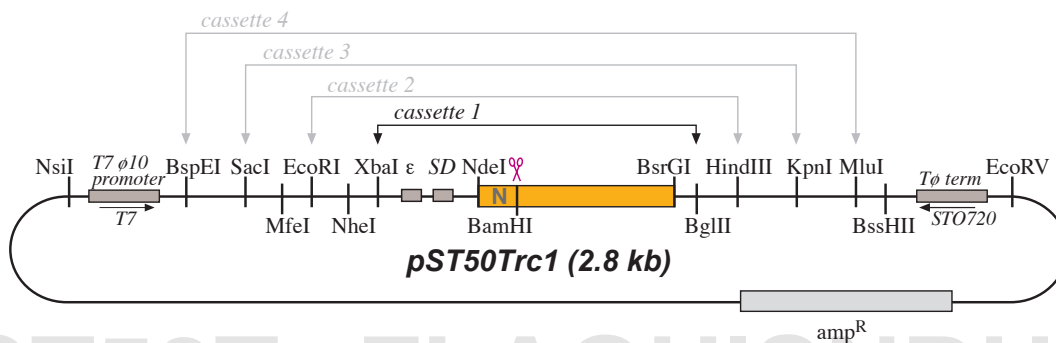
N-term tag 143 to 250

plasmid # 13

antibiotic resistance ampicillin

antib. resist. coding region 1050 to 1911

plasmid map:



pST50Tr-FLAGHISNDHFR

sequence pST50Tr-FLAGHISNDHFR Length: 3400 Type: N Check: 9217 ..  
(first 800 bp)

```
1 GGCACCATGC ATCGATCCCG CGAAATTAAT ACGACTCACT ATAGGGAGAC
51 CACAACGGTT TCCCTCCGGC TCCGGAGAGC TCCAATTGGA ATTCGCTAGC
101 TCTAGAAATA ATTTTGTTTA ACTTTAAGAA GGAGATATAC ATATGGGAGA
151 CTACAAGGAC GATGATGACA AGGGATCTGG CAGCAGCCAT CATCATCATC
201 ATCACAGCAG CGGATCTGGT GGTGGTGGTG GTGAAAACCT GTACTTCCAG
251 GGATCCATCA GTCTGATTGC GGCCTAGCG GTAGATCGCG TTATCGGCAT
301 GGAAAACGCC ATGCCATGGA ACCTGCCTGC CGATCTCGCC TGGTTTAAAC
351 GCAACACCTT AAATAAACCC GTGATTATGG GGCGCCATAC CTGGAATCA
401 ATCGGTAGGC CTTTGCCCGG CCGCAAAAAT ATTATCCTCA GCAGTCAACC
451 CGGGACCGAT GATCGGGTTA CCTGGGTAA ATCGGTGCGAC GAAGCCATCG
501 CGGCGTGTGG TGACGTACCA GAAATCATGG TGATTGGCGG CGGACGCGTT
551 TATGAACAGT TCTTGCCAAA AGCGCAAAAA CTGTATCTGA CGCATATCGA
601 TGCAGAAGTG GAAGGCGACA CCCATTTTCC GGATTACGAG CCGGATGACT
651 GGAATCGGT ATTCAGCGAA TTCCACGATG CTGATGCGCA GAACTCGCAT
701 AGCTATTGTT TCGAAATCCT CGAGCGTCGT GCCGGCTAAT GTACAAGATC
751 CAGATCTAAG CTTGGTACCA CGCGTGCGCG CTGATCCGGC TGCTAACAAA
```

# pST44 plasmid suite

Tan, Kern & Selleck, Prot. Expr. Purif.,  
40:385-395, 2005

plasmid **pST50Tr-HPCHISNDHFR**

cassette 1 coding region 143 to 751

location on DNA card B2

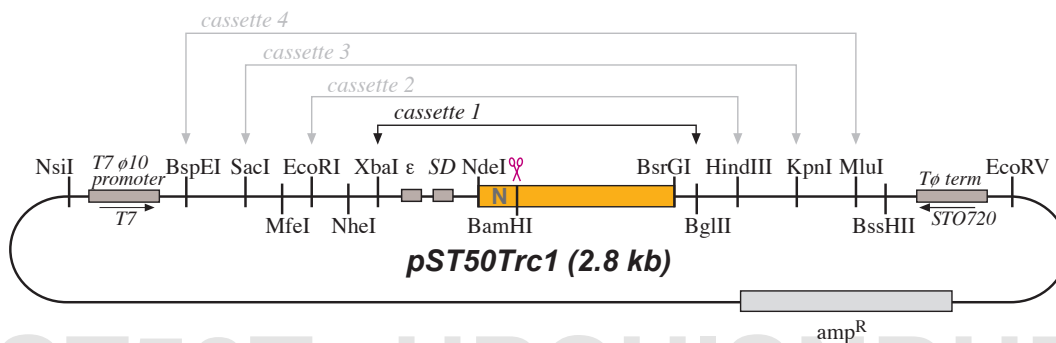
N-term tag 143 to 262

plasmid # 14

antibiotic resistance ampicillin

antib. resist. coding region 1062 to 1923

plasmid map:



pST50Tr-HPCHISNDHFR

**sequence** pST50Tr-HPCHISNDHFR Length: 3412 Type: N Check: 8026 ..  
(first 800 bp)

```
1 GGCACCATGC ATCGATCCCG CGAAATTAAT ACGACTCACT ATAGGGAGAC
51 CACAACGGTT TCCCTCCGGC TCCGGAGAGC TCCAATTGGA ATTCGCTAGC
101 TCTAGAAATA ATTTTGTTTA ACTTTAAGAA GGAGATATAC ATATGTCTGA
151 AGATCAGGTA GATCCACGTT TAATCGACGG TAAAGGATCT GGCAGCAGCC
201 ATCATCATCA TCATCACAGC AGCGGATCTG GTGGTGGTGG TGGTGAAAAC
251 CTGTACTIONC AGGGATCCAT CAGTCTGATT GCGGCGCTAG CGGTAGATCG
301 CGTTATCGGC ATGGAAAACG CCATGCCATG GAACCTGCCT GCCGATCTCG
351 CCTGGTTTAA ACGCAACACC TTAATAAAC CCGTGATTAT GGGGCGCCAT
401 ACCTGGGAAT CAATCGGTAG GCCTTTGCCC GGCCGCAAAA ATATTATCCT
451 CAGCAGTCAA CCCGGGACCG ATGATCGGGT TACCTGGGTT AAATCGGTCTG
501 ACGAAGCCAT CGCGGCGTGT GGTGACGTAC CAGAAATCAT GGTGATTGGC
551 GCGGACGCG TTTATGAACA GTTCTTGCCA AAAGCGCAAA AACTGTATCT
601 GACGCATATC GATGCAGAAG TGGAAGGCGA CACCCATTTT CCGGATTACG
651 AGCCGGATGA CTGGGAATCG GTATTCAGCG AATTCACGA TGCTGATGCG
701 CAGAACTCGC ATAGCTATTG TTTCGAAATC CTCGAGCGTC GTGCCGGCTA
751 ATGTACAAGA TCCAGATCTA AGCTTGGTAC CACGCGTGCG CGCTGATCCG
```

# pST44 plasmid suite

Tan, Kern & Selleck, Prot. Expr. Purif.,  
40:385-395, 2005

plasmid **pST50Tr-DHFRHIS**

cassette 1 coding region 143 to 652

location on DNA card B3

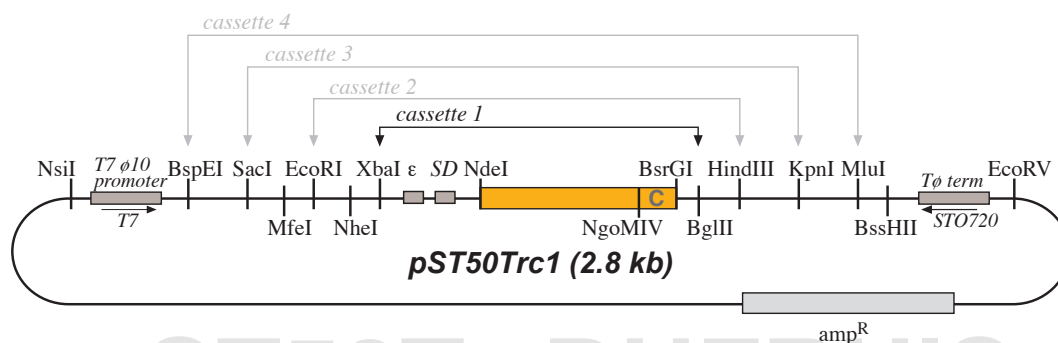
plasmid # 15

C-term tag 626 to 652

antibiotic resistance ampicillin

antib. resist. coding region 963 to 1824

plasmid map:



**pST50Tr-DHFRHIS**

**sequence** pST50Tr-DHFRHIS Length: 3313 Type: N Check: 5700 ..  
(first 800 bp)

```
1 GGCACCATGC ATCGATCCCG CGAAATTAAT ACGACTCACT ATAGGGAGAC
51 CACAACGGTT TCCCTCCGGC TCCGGAGAGC TCCAATTGGA ATTCGCTAGC
101 TCTAGAAATA ATTTTGTTTA ACTTTAAGAA GGAGATATAC ATATGGGATC
151 CATCAGTCTG ATTGCGGCGC TAGCGGTAGA TCGCGTTATC GGCATGGAAA
201 ACGCCATGCC ATGGAACCTG CCTGCCGATC TCGCCTGGTT TAAACGCAAC
251 ACCTTAAATA AACCCGTGAT TATGGGGCGC CATACTGGG AATCAATCGG
301 TAGGCCTTTG CCCGGCCGCA AAAATATTAT CCTCAGCAGT CAACCCGGGA
351 CCGATGATCG GGTACCTGG GTTAAATCGG TCGACGAAGC CATCGCGGCG
401 TGTGGTGACG TACCAGAAAT CATGGTGATT GGCGGCGGAC GCGTTTATGA
451 ACAGTTCTTG CAAAAGCGC AAAAAGTGA TCTGACGCAT ATCGATGCAG
501 AAGTGAAGG CGACACCCAT TTTCCGGATT ACGAGCCGGA TGAAGTGGAA
551 TCGGTATTCA GCGAATTCCA CGATGCTGAT GCGCAGAACT CGCATAGCTA
601 TTGTTTCGAA ATCCTCGAGC GTCGTGCCGG CCACCACCAC CACCACCACT
651 AATGTACAAG ATCCAGATCT AAGCTTGGTA CCACGCGTGC GCGCTGATCC
701 GGCTGCTAAC AAAGCCCGAA AGGAAGCTGA GTTGGCTGCT GCCACCGCTG
751 AGCAATAACT AGCATAACCC CTTGGGGCCT CTAACGGGT CTTGAGGGGT
```

# pST44 plasmid suite

Tan, Kern & Selleck, Prot. Expr. Purif.,  
40:385-395, 2005

plasmid **pST50Tr-DHFRSTR**

cassette 1 coding region 143 to 664

location on DNA card B4

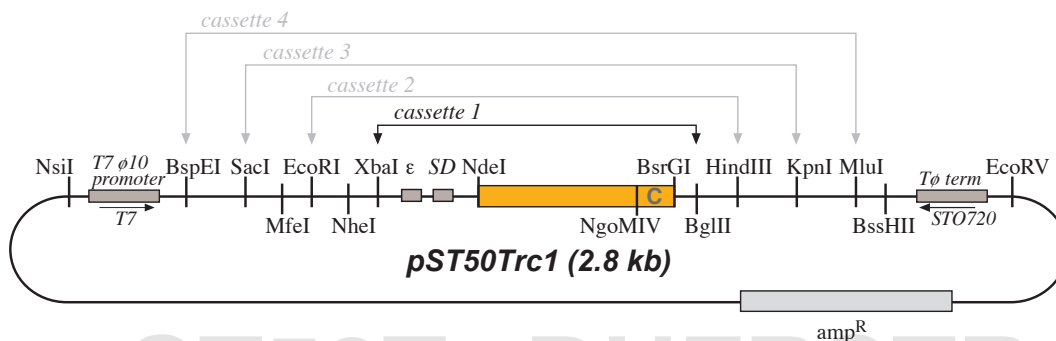
plasmid # 16

C-term tag 626 to 664

antibiotic resistance ampicillin

antib. resist. coding region 975 to 1836

plasmid map:



**pST50Tr-DHFRSTR**

**sequence** pST50Tr-DHFRSTR Length: 3325 Type: N Check: 9637 ..  
(first 800 bp)

```
1 GGCACCATGC ATCGATCCCG CGAAATTAAT ACGACTCACT ATAGGGAGAC
51 CACAACGGTT TCCCTCCGGC TCCGGAGAGC TCCAATTGGA ATTCGCTAGC
101 TCTAGAAATA ATTTTGTTTA ACTTTAAGAA GGAGATATAC ATATGGGATC
151 CATCAGTCTG ATTGCGGCGC TAGCGGTAGA TCGCGTTATC GGCATGGAAA
201 ACGCCATGCC ATGGAACCTG CCTGCCGATC TCGCCTGGTT TAAACGCAAC
251 ACCTTAAATA AACCCGTGAT TATGGGGCGC CATACTGGG AATCAATCGG
301 TAGGCCTTTG CCCGGCCGCA AAAATATTAT CCTCAGCAGT CAACCCGGGA
351 CCGATGATCG GGTTACCTGG GTTAAATCGG TCGACGAAGC CATCGCGGCG
401 TGTGGTGACG TACCAGAAAT CATGGTGATT GGCGGCGGAC GCGTTTATGA
451 ACAGTTCTTG CAAAAGCGC AAAAAGTGTG TCTGACGCAT ATCGATGCAG
501 AAGTGAAGG CGACACCCAT TTTCCGATT ACGAGCCGGA TGAAGTGGAA
551 TCGGTATTCA GCGAATTCCA CGATGCTGAT GCGCAGAACT CGCATAGCTA
601 TTGTTTCGAA ATCCTCGAGC GTCGTGCCGG CAGCGCTTGG AGCCACCCGC
651 AGTTCGAAAA ATAATGTACA AGATCCAGAT CTAAGCTTGG TACCACGCGT
701 GCGCGCTGAT CCGGCTGCTA ACAAAGCCCG AAAGGAAGCT GAGTTGGCTG
751 CTGCCACCGC TGAGCAATAA CTAGCATAAC CCCTTGGGGC CTCTAACGG
```

# pST44 plasmid suite

Tan, Kern & Selleck, Prot. Expr. Purif.,  
40:385-395, 2005

plasmid **pST50Tr-DHFRFLAG**

cassette 1 coding region 143 to 658

location on DNA card B5

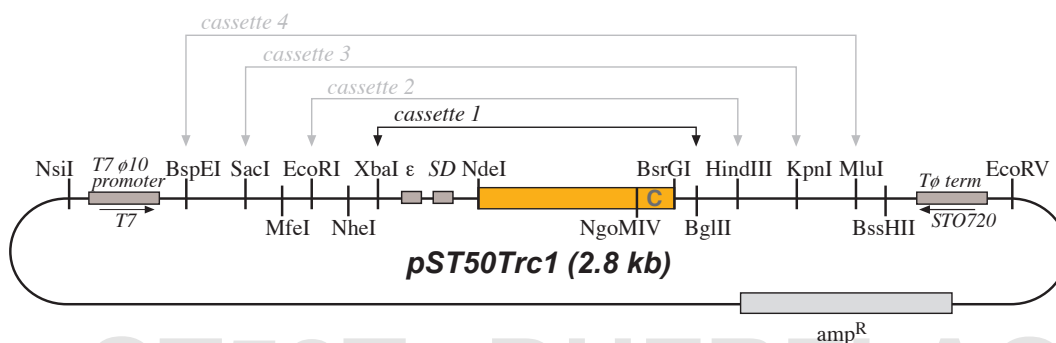
plasmid # 17

C-term tag 626 to 658

antibiotic resistance ampicillin

antib. resist. coding region 969 to 1830

plasmid map:



**pST50Tr-DHFRFLAG**

**sequence** pST50Tr-DHFRFLAG Length: 3319 Type: N Check: 8361 ..  
(first 800 bp)

```
1 GGCACCATGC ATCGATCCCG CGAAATTAAT ACGACTCACT ATAGGGAGAC
51 CACAACGGTT TCCCTCCGGC TCCGGAGAGC TCCAATTGGA ATTCGCTAGC
101 TCTAGAAATA ATTTTGTTTA ACTTTAAGAA GGAGATATAC ATATGGGATC
151 CATCAGTCTG ATTGCGGCGC TAGCGGTAGA TCGCGTTATC GGCATGGAAA
201 ACGCCATGCC ATGGAACCTG CCTGCCGATC TCGCCTGGTT TAAACGCAAC
251 ACCTTAAATA AACCCGTGAT TATGGGGCGC CATACTGGG AATCAATCGG
301 TAGGCCTTTG CCCGGCCGCA AAAATATTAT CCTCAGCAGT CAACCCGGGA
351 CCGATGATCG GGTTACCTGG GTTAAATCGG TCGACGAAGC CATCGCGGCG
401 TGTGGTGACG TACCAGAAAT CATGGTGATT GGCGGCGGAC GCGTTTATGA
451 ACAGTTCTTG CAAAAGCGC AAAAAGTGTG TCTGACGCAT ATCGATGCAG
501 AAGTGAAGG CGACACCCAT TTTCCGGATT ACGAGCCGGA TGAAGTGGAA
551 TCGGTATTCA GCGAATTCCA CGATGCTGAT GCGCAGAAGT CGCATAGCTA
601 TTGTTTCGAA ATCCTCGAGC GTCGTGCCGG CGACTACAAG GACGATGATG
651 ACAAGTAATG TACAAGATCC AGATCTAAGC TTGGTACCAC GCGTGCGCGC
701 TGATCCGGCT GCTAACAAG CCCGAAAGGA AGCTGAGTTG GCTGCTGCCA
751 CCGCTGAGCA ATAAGTAGCA TAACCCCTTG GGCCTCTAA ACGGGTCTTG
```

# pST44 plasmid suite

Tan, Kern & Selleck, Prot. Expr. Purif.,  
40:385-395, 2005

plasmid **pST50Tr-DHFRCYD**

cassette 1 coding region 143 to 649

location on DNA card B6

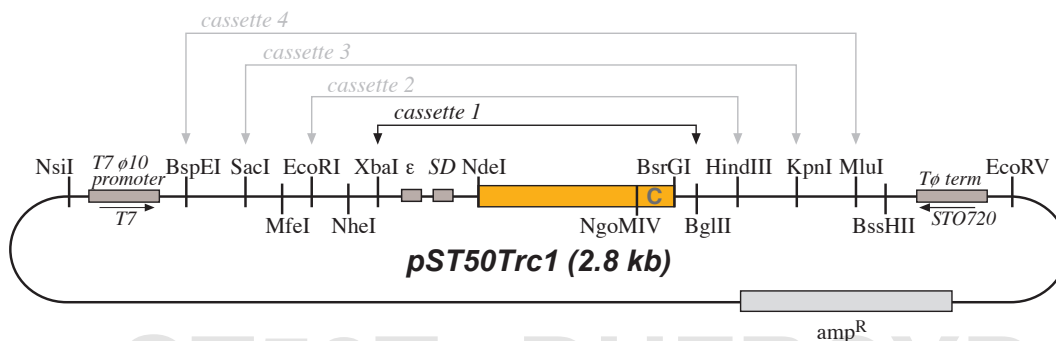
plasmid # 18

C-term tag 626 to 649

antibiotic resistance ampicillin

antib. resist. coding region 960 to 1821

plasmid map:



pST50Tr-DHFRCYD

**sequence** pST50Tr-DHFRCYD Length: 3310 Type: N Check: 8319 ..  
(first 800 bp)

```
1 GGCACCATGC ATCGATCCCG CGAAATTAAT ACGACTCACT ATAGGGAGAC
51 CACAACGGTT TCCCTCCGGC TCCGGAGAGC TCCAATTGGA ATTCGCTAGC
101 TCTAGAAATA ATTTTGTTTA ACTTTAAGAA GGAGATATAC ATATGGGATC
151 CATCAGTCTG ATTGCGGCGC TAGCGGTAGA TCGCGTTATC GGCATGGAAA
201 ACGCCATGCC ATGGAACCTG CCTGCCGATC TCGCCTGGTT TAAACGCAAC
251 ACCTTAAATA AACCCGTGAT TATGGGGCGC CATACTGGG AATCAATCGG
301 TAGGCCTTTG CCCGGCCGCA AAAATATTAT CCTCAGCAGT CAACCCGGGA
351 CCGATGATCG GGTACCTGG GTTAAATCGG TCGACGAAGC CATCGCGGCG
401 TGTGGTGACG TACCAGAAAT CATGGTGATT GGCGGCGGAC GCGTTTATGA
451 ACAGTTCTTG CAAAAGCGC AAAAAGTGA TCTGACGCAT ATCGATGCAG
501 AAGTGAAGG CGACACCCAT TTTCCGATT ACGAGCCGGA TGAAGTGGAA
551 TCGGTATTCA GCGAATTCCA CGATGCTGAT GCGCAGAACT CGCATAGCTA
601 TTGTTTCGAA ATCCTCGAGC GTCGTGCCGG CACCGAATTT TGCGCTTAAT
651 GTACAAGATC CAGATCTAAG CTTGGTACCA CGCGTGCCGG CTGATCCGGC
701 TGCTAACAAA GCCCGAAAGG AAGCTGAGTT GGCTGCTGCC ACCGCTGAGC
751 AATAACTAGC ATAACCCTT GGGCCTCTA AACGGGTCTT GAGGGGTTTT
```

# pST44 plasmid suite

Tan, Kern & Selleck, Prot. Expr. Purif.,  
40:385-395, 2005

plasmid **pST50Trc2-HISDHFR**

cassette 1 coding region 131 to 672

location on DNA card B7

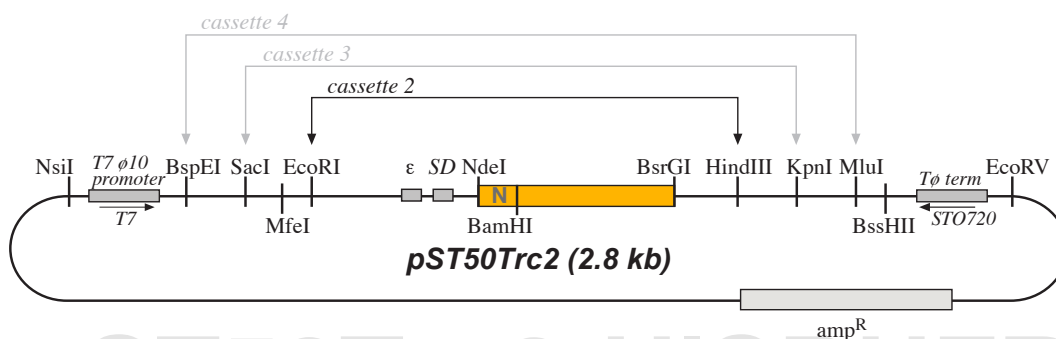
N-term tag 131 to 166

plasmid # 19

antibiotic resistance ampicillin

antib. resist. coding region 967 to 1828

plasmid map:



**pST50Trc2-HISDHFR**

**sequence** pST50Trc2-HISDHFR Length: 3317 Type: N Check: 5270 ..  
(first 800 bp)

```
1 GGCACCATGC ATCGATCCCG CGAAATTAAT ACGACTCACT ATAGGGAGAC
51 CACAACGGTT TCCCTCCGGC TCCGGAGAGC TCCAATTGGA ATTCAATAAT
101 TTTGTTTAAC TTTAAGAAGG AGATATACAT ATGGGCAGCA GCCATCATCA
151 TCATCATCAC AGCAGCGGAT CCATCAGTCT GATTGCGGCA TCAGTCTGAT
201 TGCGGCGCTA GCGGTAGATC GCGTTATCGG CATGGAAAAC GCCATGCCAT
251 GGAACCTGCC TGCCGATCTC GCCTGGTTTA AACGCAACAC CTTAAATAAA
301 CCCGTGATTA TGGGGCGCCA TACCTGGGAA TCAATCGGTA GGCCTTTGCC
351 CGGCCGAAA AATATTATCC TCAGCAGTCA ACCCGGGACC GATGATCGGG
401 TTACCTGGGT TAAATCGGTC GACGAAGCCA TCGCGGCGTG TGGTGACGTA
451 CCAGAAATCA TGGTGATTGG CGGCGGACGC GTTTATGAAC AGTTCTTGCC
501 AAAAGCGCAA AAAGTGTATC TGACGCATAT CGATGCAGAA GTGGAAGGCG
551 ACACCCATTT TCCGATTAC GAGCCGGATG ACTGGAATC GGTATTACAG
601 GAATTCCACG ATGCTGATGC GCAGAACTCG CATAGCTATT GTTTCGAAAT
651 CCTCGAGCGT CGTGCCGGCT AATGTACAAA GCTTGGTACC ACGCGTGCGC
701 GCTGATCCGG CTGCTAACAA AGCCCGAAAG GAAGCTGAGT TGGCTGCTGC
751 CACCGCTGAG CAATAACTAG CATAACCCTT TGGGCCTCT AACGGGTCT
```

# pST44 plasmid suite

Tan, Kern & Selleck, Prot. Expr. Purif.,  
40:385-395, 2005

plasmid **pST50Trc2-CBPDHFR**

cassette 1 coding region 131 to 706

location on DNA card B8

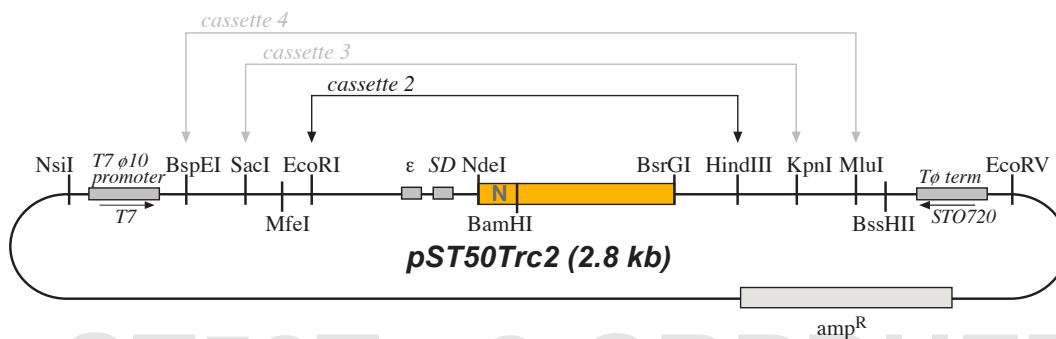
N-term tag 131 to 217

plasmid # 20

antibiotic resistance ampicillin

antib. resist. coding region 1005 to 1866

plasmid map:



pST50Trc2-CBPDHFR

sequence  
(first 800 bp)

pST50Trc2-CBPDHFR Length: 3355 Type: N Check: 3553 ..

```
1 GGCACCATGC ATCGATCCCG CGAAATTAAT ACGACTCACT ATAGGGAGAC
51 CACAACGGTT TCCCTCCGGC TCCGGAGAGC TCCAATTGGA ATTCAATAAT
101 TTTGTTTAAC TTTAAGAAGG AGATATACAT ATGTCTAAGC GACGATGGAA
151 AAAGAATTC ATAGCCGTCT CAGCAGCCAA CCGCTTTAAG AAAATCTCAT
201 CCTCCGGGGC ACTTCTGGGA TCCATCAGTC TGATTGCGGC GCTAGCGGTA
251 GATCGCGTTA TCGGCATGGA AAACGCCATG CCATGGAACC TGCCTGCCGA
301 TCTCGCCTGG TTTAAACGCA ACACCTTAAA TAAACCCGTG ATTATGGGGC
351 GCCATACCTG GGAATCAATC GGTAGGCCTT TGCCCGGCCG CAAAATATT
401 ATCCTCAGCA GTCAACCCGG GACCGATGAT CGGGTTACCT GGGTTAAATC
451 GGTCGACGAA GCCATCGCGG CGTGTGGTGA CGTACCAGAA ATCATGGTGA
501 TTGGCGGCGG ACGCGTTTAT GAACAGTTCT TGCCAAAAGC GCAAAAAC TG
551 TATCTGACGC ATATCGATGC AGAAGTGGAA GCGACACCC ATTTTCCGGA
601 TTACGAGCCG GATGACTGGG AATCGGTATT CAGCGAATTC CACGATGCTG
651 ATGCGCAGAA CTCGCATAGC TATTGTTTCG AAATCCTCGA GCGTCGTGCC
701 GGCTAATGTA CAAAGCTTGG TACCACGCGT GCGCGCTGAT CCGGCTGCTA
751 ACAAAGCCCG AAAGGAAGCT GAGTTGGCTG CTGCCACCGC TGAGCAATAA
```

# pST44 plasmid suite

Tan, Kern & Selleck, Prot. Expr. Purif.,  
40:385-395, 2005

plasmid **pST50Trc2-STRDHFR**

cassette 1 coding region 131 to 652

location on DNA card B9

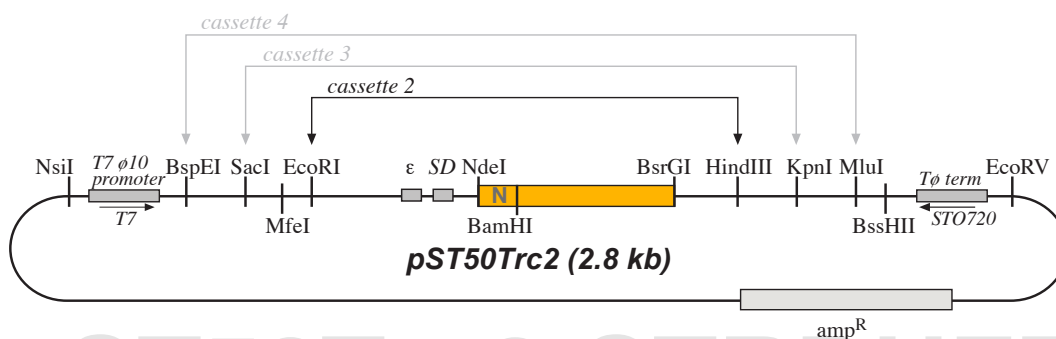
N-term tag 131 to 163

plasmid # 21

antibiotic resistance ampicillin

antib. resist. coding region 951 to 1812

plasmid map:



pST50Trc2-STRDHFR

**sequence** pST50Trc2-STRDHFR Length: 3301 Type: N Check: 4292 ..  
(first 800 bp)

```
1 GGCACCATGC ATCGATCCCG CGAAATTAAT ACGACTCACT ATAGGGAGAC
51 CACAACGGTT TCCCTCCGGC TCCGGAGAGC TCCAATTGGA ATTCAATAAT
101 TTTGTTTAAC TTTAAGAAGG AGATATACAT ATGGCAAGCT GGAGCCACCC
151 GCAGTTCGAG AAAGGATCCA TCAGTCTGAT TGCGGCGCTA GCGGTAGATC
201 GCGTTATCGG CATGGAAAAC GCCATGCCAT GGAACCTGCC TGCCGATCTC
251 GCCTGTTTA AACGCAACAC CTAAATAAA CCCGTGATTA TGGGGCGCCA
301 TACCTGGGAA TCAATCGGTA GGCCTTTGCC CGGCCGCAA AATATTATCC
351 TCAGCAGTCA ACCCGGGACC GATGATCGGG TTACCTGGGT TAAATCGGTC
401 GACGAAGCCA TCGCGCGTG TGGTGACGTA CCAGAAATCA TGGTGATTGG
451 CGGCGGACGC GTTTATGAAC AGTTCTTGCC AAAAGCGCAA AACTGTATC
501 TGACGCATAT CGATGCAGAA GTGGAAGGCG ACACCCATTT TCCGGATTAC
551 GAGCCGGATG ACTGGAATC GGTATTCAGC GAATTCCACG ATGCTGATGC
601 GCAGAACTCG CATAGCTATT GTTTCGAAAT CCTCGAGCGT CGTGCCGGCT
651 AATGTACAAA GCTTGGTACC ACGCGTGCGC GCTGATCCGG CTGCTAACAA
701 AGCCCGAAAG GAAGCTGAGT TGGCTGCTGC CACCGCTGAG CAATAACTAG
751 CATAACCCCT TGGGGCCTCT AAACGGGTCT TGAGGGGTTT TTTGCTGAAA
```

# pST44 plasmid suite

Tan, Kern & Selleck, Prot. Expr. Purif.,  
40:385-395, 2005

plasmid **pST50Trc2-FLAGDHF**R

cassette 1 coding region 131 to 649

location on DNA card B10

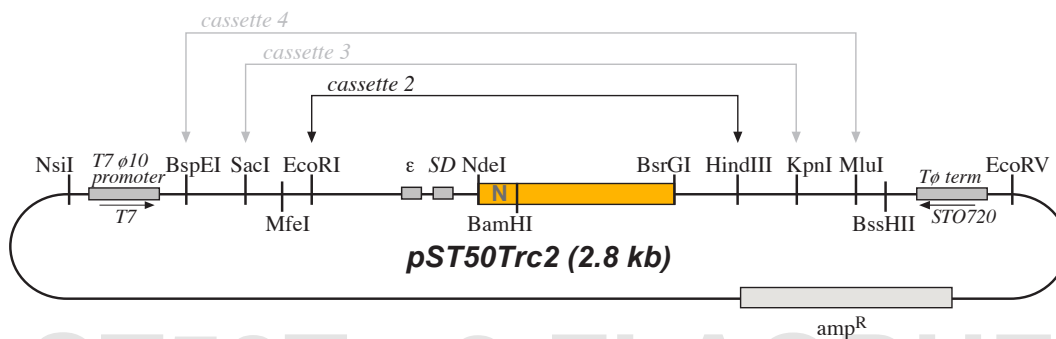
N-term tag 131 to 160

plasmid # 22

antibiotic resistance ampicillin

antib. resist. coding region 948 to 1809

plasmid map:



pST50Trc2-FLAGDHF

**sequence** pST50Trc2-FLAGDHF Length: 3298 Type: N Check: 3183 ..  
(first 800 bp)

```
1 GGCACCATGC ATCGATCCCG CGAAATTAAT ACGACTCACT ATAGGGAGAC
51 CACAACGGTT TCCCTCCGGC TCCGGAGAGC TCCAATTGGA ATTCAATAAT
101 TTTGTTTAAC TTTAAGAAGG AGATATACAT ATGGGAGACT ACAAGGACGA
151 TGATGACAAG GGATCCATCA GTCTGATTGC GGCCTAGCG GTAGATCGCG
201 TTATCGGCAT GGAAAACGCC ATGCCATGGA ACCTGCCTGC CGATCTCGCC
251 TGGTTTAAAC GCAACACCTT AAATAAACCC GTGATTATGG GGCGCCATAC
301 CTGGGAATCA ATCGGTAGGC CTTTGCCCGG CCGCAAAAAT ATTATCCTCA
351 GCAGTCAACC CGGGACCGAT GATCGGGTTA CCTGGGTAA ATCGGTGCGAC
401 GAAGCCATCG CGGCGTGTGG TGACGTACCA GAAATCATGG TGATTGGCGG
451 CGGACGCGTT TATGAACAGT TCTTGCCAAA AGCGCAAAAA CTGTATCTGA
501 CGCATATCGA TGCAGAAGTG GAAGGCGACA CCCATTTTCC GGATTACGAG
551 CCGGATGACT GGAATCGGT ATTCAGCGAA TTCCACGATG CTGATGCGCA
601 GAACTCGCAT AGCTATTGTT TCGAAATCCT CGAGCGTCGT GCCGGCTAAT
651 GTACAAAGCT TGGTACCACG CGTGCGCGCT GATCCGGCTG CTAACAAAGC
701 CCGAAAGGAA GCTGAGTTGG CTGCTGCCAC CGCTGAGCAA TAACTAGCAT
751 AACCCCTTGG GGCCTCTAAA CGGGTCTTGA GGGGTTTTTT GCTGAAAGGA
```

# pST44 plasmid suite

Tan, Kern & Selleck, Prot. Expr. Purif.,  
40:385-395, 2005

plasmid **pST50Trc2-HPCDHFR**

cassette 1 coding region 131 to 661

location on DNA card B11

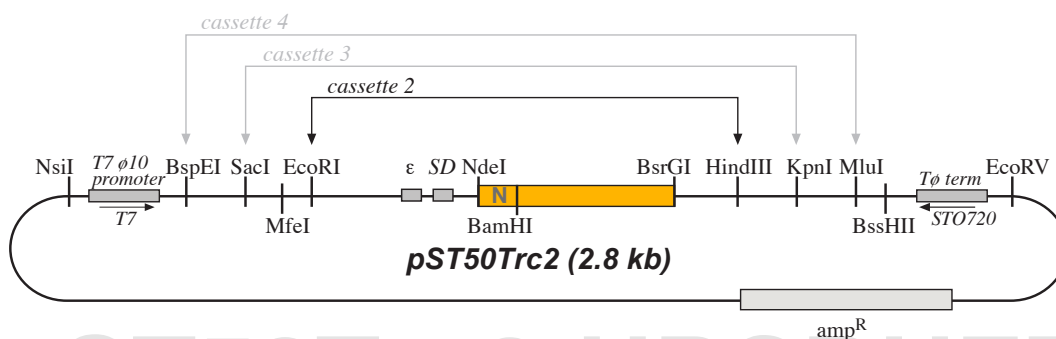
N-term tag 131 to 172

plasmid # 23

antibiotic resistance ampicillin

antib. resist. coding region 960 to 1821

plasmid map:



**sequence** pST50Trc2-HPCDHFR Length: 3310 Type: N Check: 370 ..  
(first 800 bp)

```
1 GGCACCATGC ATCGATCCCG CGAAATTAAT ACGACTCACT ATAGGGAGAC
51 CACAACGGTT TCCCTCCGGC TCCGGAGAGC TCCAATTGGA ATTCAATAAT
101 TTTGTTTAAC TTTAAGAAGG AGATATACAT ATGTCTGAAG ATCAGGTAGA
151 TCCACGTTTA ATCGACGGTA AAGGATCCAT CAGTCTGATT GCGGCGCTAG
201 CGGTAGATCG CGTTATCGGC ATGGAAAACG CCATGCCATG GAACCTGCCT
251 GCCGATCTCG CCTGGTTTAA ACGCAACACC TTAAATAAAC CCGTGATTAT
301 GGGGCGCCAT ACCTGGAAT CAATCGGTAG GCCTTTGCCC GGCCGCAAAA
351 ATATTATCCT CAGCAGTCAA CCCGGGACCG ATGATCGGGT TACCTGGGTT
401 AAATCGGTGC ACGAAGCCAT CGCGGCGTGT GGTGACGTAC CAGAAATCAT
451 GGTGATTGGC GCGGACGCG TTTATGAACA GTTCTTGCCA AAAGCGCAAA
501 AACTGTATCT GACGCATATC GATGCAGAAG TGGAAGGCGA CACCCATTTT
551 CCGGATTACG AGCCGGATGA CTGGAATCG GTATTCAGCG AATTCCACGA
601 TGCTGATGCG CAGAACTCGC ATAGCTATTG TTTCGAAATC CTCGAGCGTC
651 GTGCCGGCTA ATGTACAAAG CTTGGTACCA CGCGTGCGCG CTGATCCGGC
701 TGCTAACAAA GCCCGAAAGG AAGCTGAGTT GGCTGCTGCC ACCGCTGAGC
751 AATAACTAGC ATAACCCTT GGGCCTCTA AACGGGTCTT GAGGGGTTTT
```

# pST44 plasmid suite

Tan, Kern & Selleck, Prot. Expr. Purif.,  
40:385-395, 2005

plasmid **pST50Trc2-HISNDHFR**

cassette 1 coding region 131 to 694

location on DNA card B12

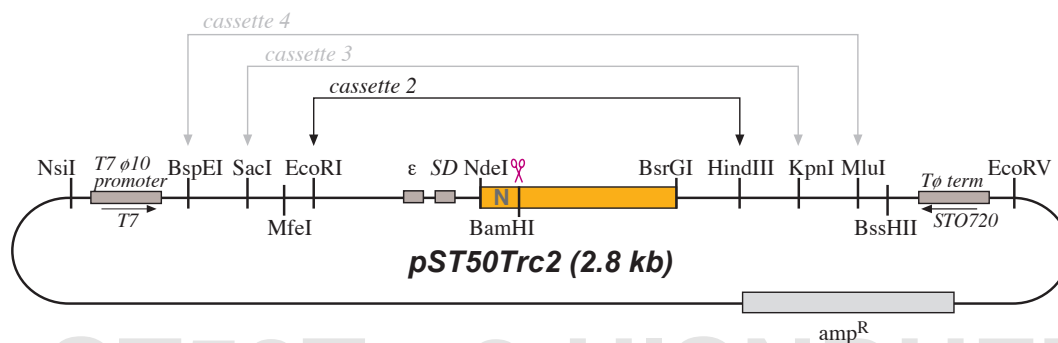
N-term tag 131 to 205

plasmid # 24

antibiotic resistance ampicillin

antib. resist. coding region 993 to 1854

plasmid map:



pST50Trc2-HISNDHFR

**sequence** pST50Trc2-HISNDHFR Length: 3343 Type: N Check: 2648 ..  
(first 800 bp)

```
1 GGCACCATGC ATCGATCCCG CGAAATTAAT ACGACTCACT ATAGGGAGAC
51 CACAACGGTT TCCCTCCGGC TCCGGAGAGC TCCAATTGGA ATTCAATAAT
101 TTTGTTTAAAC TTTAAGAAGG AGATATACAT ATGGGCAGCA GCCATCATCA
151 TCATCATCAC AGCAGCGGAT CTGGTGGTGG TGGTGGTGAA AACCTGTACT
201 TCCAGGGATC CATCAGTCTG ATTGCGGGCG TAGCGGTAGA TCGCGTTATC
251 GGCATGGAAA ACGCCATGCC ATGGAACCTG CCTGCCGATC TCGCCTGGTT
301 TAAACGCAAC ACCTTAAATA AACCCGTGAT TATGGGGCGC CATACTGGG
351 AATCAATCGG TAGGCCTTTG CCCGGCCGCA AAAATATTAT CCTCAGCAGT
401 CAACCCGGGA CCGATGATCG GGTACCTGG GTTAAATCGG TCGACGAAGC
451 CATCGCGGCG TGTGGTGACG TACCAGAAAT CATGGTGATT GGCGGCGGAC
501 GCGTTTATGA ACAGTTCTTG CAAAAGCGC AAAAAGTGTG TCTGACGCAT
551 ATCGATGCAG AAGTGGAAGG CGACACCCAT TTTCCGGATT ACGAGCCGGA
601 TGA CTGGGAA TCGGTATTCA GCGAATTCCA CGATGCTGAT GCGCAGAACT
651 CGCATAGCTA TTGTTTCGAA ATCCTCGAGC GTCGTGCCGG CTAATGTACA
701 AAGCTTGGTA CCACGCGTGC GCGCTGATCC GGCTGCTAAC AAAGCCCGAA
751 AGGAAGCTGA GTTGCTGCT GCCACCGCTG AGCAATAACT AGCATAACCC
```

# pST44 plasmid suite

Tan, Kern & Selleck, Prot. Expr. Purif.,  
40:385-395, 2005

plasmid **pST50Trc2-CBPNDHFR**

cassette 1 coding region 131 to 745

location on DNA card C1

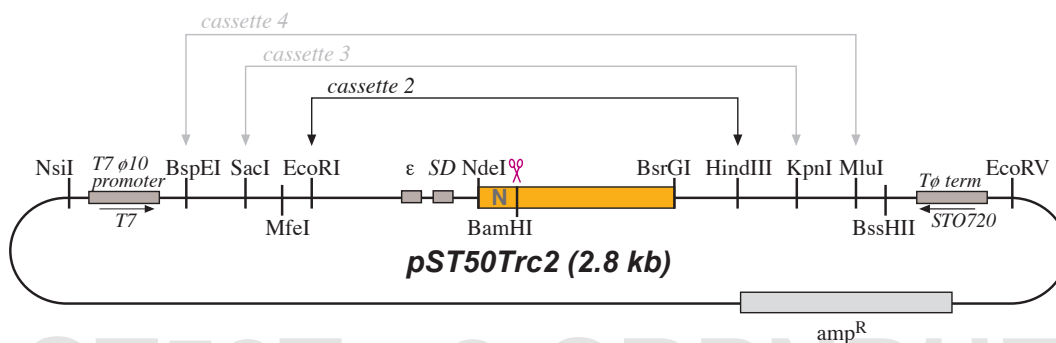
N-term tag 131 to 256

plasmid # 25

antibiotic resistance ampicillin

antib. resist. coding region 1044 to 1905

plasmid map:



pST50Trc2-CBPNDHFR

**sequence** pST50Trc2-CBPNDHFR Length: 3394 Type: N Check: 885 ..  
(first 800 bp)

```
1 GGCACCATGC ATCGATCCCG CGAAATTAAT ACGACTCACT ATAGGGAGAC
51 CACAACGGTT TCCCTCCGGC TCCGGAGAGC TCCAATTGGA ATTCAATAAT
101 TTTGTTTAAAC TTTAAGAAGG AGATATACAT ATGTCTAAGC GACGATGGAA
151 AAAGAATTTT ATAGCCGTCT CAGCAGCCAA CCGCTTTAAG AAAATCTCAT
201 CCTCCGGGGC ACTTCTGGGA TCTGGTGGTG GTGGTGGTGA AAACCTGTAC
251 TTCCAGGGAT CCATCAGTCT GATTGCGGCG CTAGCGGTAG ATCGCGTTAT
301 CGGCATGGAA AACGCCATGC CATGGAACCT GCCTGCCGAT CTCGCCTGGT
351 TTAAACGCAA CACCTTAAAT AAACCCGTGA TTATGGGGCG CCATACCTGG
401 GAATCAATCG GTAGGCCTTT GCCCGGCCGC AAAAATATTA TCCTCAGCAG
451 TCAACCCGGG ACCGATGATC GGGTTACCTG GGTTAAATCG GTCGACGAAG
501 CCATCGCGGC GTGTGGTGAC GTACCAGAAA TCATGGTGAT TGGCGGCGGA
551 CGCGTTTATG AACAGTTCTT GCCAAAAGCG CAAAACTGT ATCTGACGCA
601 TATCGATGCA GAAGTGAAG GCGACACCCA TTTTCCGGAT TACGAGCCGG
651 ATGACTGGGA ATCGGTATTC AGCGAATTCC ACGATGCTGA TGCGCAGAAC
701 TCGCATAGCT ATTGTTTCGA AATCCTCGAG CGTCGTGCCG GCTAATGTAC
751 AAAGCTTGGT ACCACGCGTG CGGCTGATC CGGCTGCTAA CAAAGCCCGA
```

# pST44 plasmid suite

Tan, Kern & Selleck, Prot. Expr. Purif.,  
40:385-395, 2005

plasmid **pST50Trc2-STRNDHFR**

cassette 1 coding region 131 to 691

location on DNA card C2

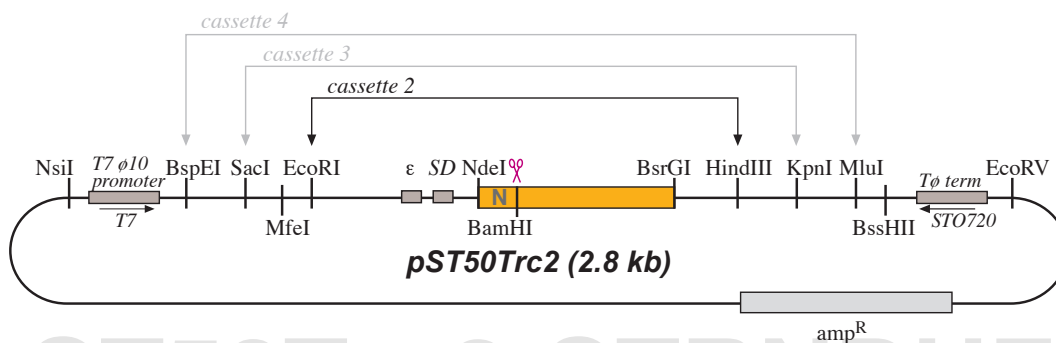
N-term tag 131 to 202

plasmid # 26

antibiotic resistance ampicillin

antib. resist. coding region 990 to 1851

plasmid map:



pST50Trc2-STRNDHFR

**sequence** pST50Trc2-STRNDHFR Length: 3340 Type: N Check: 1555 ..  
(first 800 bp)

```
1 GGCACCATGC ATCGATCCCG CGAAATTAAT ACGACTCACT ATAGGGAGAC
51 CACAACGGTT TCCCTCCGGC TCCGGAGAGC TCCAATTGGA ATTCAATAAT
101 TTTGTTTAAC TTTAAGAAGG AGATATACAT ATGGCAAGCT GGAGCCACCC
151 GCAGTTCGAG AAAGGATCTG GTGGTGGTGG TGGTGAAAAC CTGTACTTCC
201 AGGGATCCAT CAGTCTGATT GCGGCGCTAG CGGTAGATCG CGTTATCGGC
251 ATGGAAAACG CCATGCCATG GAACCTGCCT GCCGATCTCG CCTGGTTTAA
301 ACGCAACACC TTAATAAAC CCGTGATTAT GGGGCGCCAT ACCTGGGAAT
351 CAATCGGTAG GCCTTTGCCG GCGCGCAAAA ATATTATCCT CAGCAGTCAA
401 CCCGGGACCG ATGATCGGGT TACCTGGGTT AAATCGGTCTG ACGAAGCCAT
451 CGCGGCGTGT GGTGACGTAC CAGAAATCAT GGTGATTGGC GGCGGACGCG
501 TTTATGAACA GTTCTTGCCA AAAGCGCAAA AACTGTATCT GACGCATATC
551 GATGCAGAAG TGAAGGCGA CACCCATTTT CCGGATTACG AGCCGGATGA
601 CTGGGAATCG GTATTCAGCG AATTCCACGA TGCTGATGCG CAGAACTCGC
651 ATAGCTATTG TTTGAAATC CTCGAGCGTC GTGCCGGCTA ATGTACAAAG
701 CTTGGTACCA CGCGTGCGCG CTGATCCGGC TGCTAACAAA GCCCGAAAGG
751 AAGCTGAGTT GGCTGCTGCC ACCGCTGAGC AATAACTAGC ATAACCCCTT
```

# pST44 plasmid suite

Tan, Kern & Selleck, Prot. Expr. Purif.,  
40:385-395, 2005

plasmid **pST50Trc2-FLAGNDHFR**

cassette 1 coding region 131 to 688

location on DNA card C3

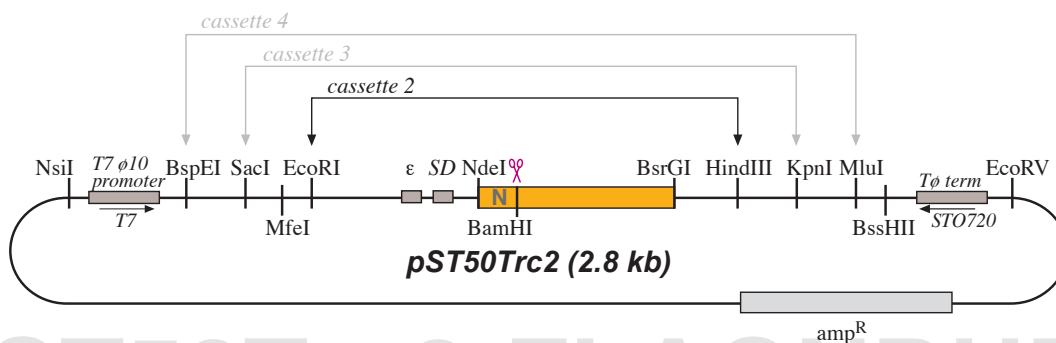
N-term tag 131 to 199

plasmid # 27

antibiotic resistance ampicillin

antib. resist. coding region 987 to 1848

plasmid map:



# pST50Trc2-FLAGNDHFR

**sequence** pST50Trc2-FLAGNDHFR Length: 3337 Type: N Check: 515 ..  
(first 800 bp)

```
1 GGCACCATGC ATCGATCCCG CGAAATTAAT ACGACTCACT ATAGGGAGAC
51 CACAACGGTT TCCCTCCGGC TCCGGAGAGC TCCAATTGGA ATTCAATAAT
101 TTTGTTTAAC TTTAAGAAGG AGATATACAT ATGGGAGACT ACAAGGACGA
151 TGATGACAAG GGATCTGGTG GTGGTGGTGG TGAAAACCTG TACTTCCAGG
201 GATCCATCAG TCTGATTGCG GCGCTAGCGG TAGATCGCGT TATCGGCATG
251 GAAAACGCCA TGCCATGGAA CCTGCCTGCC GATCTCGCCT GGTTTAAACG
301 CAACACCTTA AATAAACCCG TGATTATGGG GCGCCATACC TGGAATCAA
351 TCGGTAGGCC TTTGCCCGGC CGCAAAAATA TTATCCTCAG CAGTCAACCC
401 GGGACCGATG ATCGGGTTAC CTGGGTAAA TCGGTCGACG AAGCCATCGC
451 GCGGTGTGGT GACGTACCAG AAATCATGGT GATTGGCGGC GGACGCGTTT
501 ATGAACAGTT CTTGCCAAAA GCGCAAAAAC TGTATCTGAC GCATATCGAT
551 GCAGAAGTGG AAGGCGACAC CCATTTTCCG GATTACGAGC CGGATGACTG
601 GGAATCGGTA TTCAGCGAAT TCCACGATGC TGATGCGCAG AACTCGCATA
651 GCTATTGTTT CGAAATCCTC GAGCGTCGTG CCGGCTAATG TACAAAGCTT
701 GGTACCACGC GTGCGCGCTG ATCCGGCTGC TAACAAAGCC CGAAAGGAAG
751 CTGAGTTGGC TGCTGCCACC GCTGAGCAAT AACTAGCATA ACCCCTTGGG
```

# pST44 plasmid suite

Tan, Kern & Selleck, Prot. Expr. Purif.,  
40:385-395, 2005

plasmid **pST50Trc2-HPCNDHFR**

cassette 1 coding region 131 to 700

location on DNA card C4

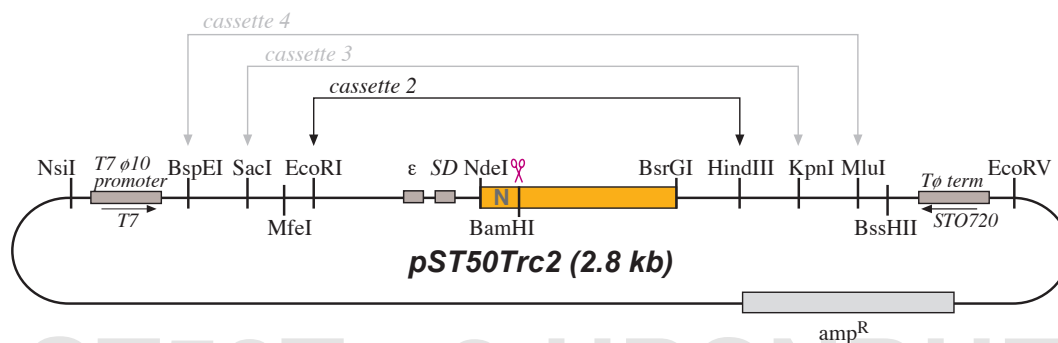
N-term tag 131 to 211

plasmid # 28

antibiotic resistance ampicillin

antib. resist. coding region 999 to 1860

plasmid map:



pST50Trc2-HPCNDHFR

**sequence** pST50Trc2-HPCNDHFR Length: 3349 Type: N Check: 7800 ..  
(first 800 bp)

```
1 GGCACCATGC ATCGATCCCG CGAAATTAAT ACGACTCACT ATAGGGAGAC
51 CACAACGGTT TCCCTCCGGC TCCGGAGAGC TCCAATTGGA ATTCAATAAT
101 TTTGTTTAAC TTTAAGAAGG AGATATACAT ATGTCTGAAG ATCAGGTAGA
151 TCCACGTTTA ATCGACGGTA AAGGATCTGG TGGTGGTGGT GGTGAAAACC
201 TGTACTTCCA GGGATCCATC AGTCTGATTG CGGCGCTAGC GGTAGATCGC
251 GTTATCGGCA TGGAAAACGC CATGCCATGG AACCTGCCTG CCGATCTCGC
301 CTGGTTTAAA CGCAACACCT TAAATAAACC CGTGATTATG GGGCGCCATA
351 CCTGGGAATC AATCGGTAGG CCTTTGCCCG GCCGCAAAAA TATTATCCTC
401 AGCAGTCAAC CCGGACCGA TGATCGGGTT ACCTGGGTTA AATCGGTCGA
451 CGAAGCCATC GCGGCGTGTG GTGACGTACC AGAAATCATG GTGATTGGCG
501 GCGGACGCGT TTATGAACAG TTCTTGCCAA AAGCGCAAAA ACTGTATCTG
551 ACGCATATCG ATGCAGAAGT GGAAGGCGAC ACCCATT TTC CGGATTACGA
601 GCCGATGAC TGGGAATCGG TATTCAGCGA ATTCCACGAT GCTGATGCGC
651 AGAACTCGCA TAGCTATTGT TTCGAAATCC TCGAGCGTCG TGCCGGCTAA
701 TGTACAAAGC TTGGTACCAC GCGTGCGCGC TGATCCGGCT GCTAACAAG
751 CCCGAAAGGA AGCTGAGTTG GCTGCTGCCA CCGCTGAGCA ATA ACTAGCA
```

# pST44 plasmid suite

Tan, Kern & Selleck, Prot. Expr. Purif.,  
40:385-395, 2005

plasmid **pST50Trc2-CBPHISNDHFR**

cassette 1 coding region 131 to 784

location on DNA card C5

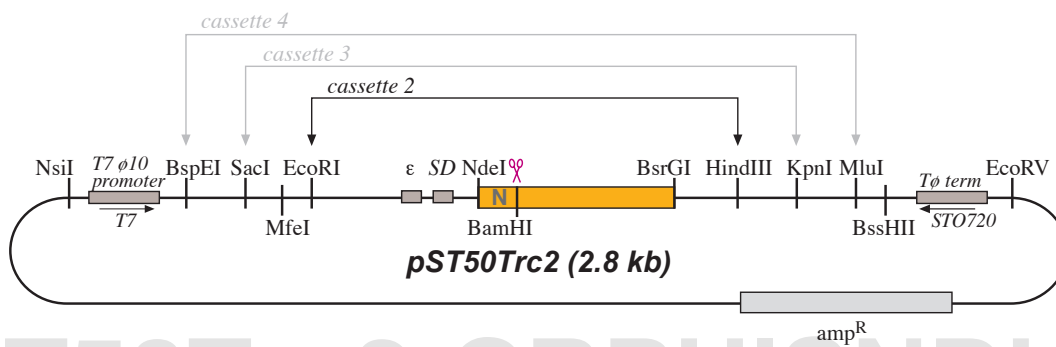
N-term tag 131 to 295

plasmid # 29

antibiotic resistance ampicillin

antib. resist. coding region 1083 to 1944

plasmid map:



**sequence** pST50Trc2-CBPHISNDHFR Length: 3433 Type: N Check: 7528 ..  
(first 800 bp)

```
1 GGCACCATGC ATCGATCCCG CGAAATTAAT ACGACTCACT ATAGGGAGAC
51 CACAACGGTT TCCCTCCGGC TCCGGAGAGC TCCAATTGGA ATTCAATAAT
101 TTTGTTTAAC TTTAAGAAGG AGATATACAT ATGTCTAAGC GACGATGGAA
151 AAAGAATTC ATAGCCGTCT CAGCAGCCAA CCGCTTTAAG AAAATCTCAT
201 CCTCCGGGGC ACTTCTGGGA TCTGGCAGCA GCCATCATCA TCATCATCAC
251 AGCAGCGGAT CTGGTGGTGG TGGTGGTGAA AACCTGTACT TCCAGGGATC
301 CATCAGTCTG ATTGCGGCGC TAGCGGTAGA TCGCGTTATC GGCATGGAAA
351 ACGCCATGCC ATGGAACCTG CCTGCCGATC TCGCCTGGTT TAAACGCAAC
401 ACCTTAAATA AACCCGTGAT TATGGGGCGC CATACTGGG AATCAATCGG
451 TAGGCCTTTG CCCGCGCGCA AAAATATTAT CCTCAGCAGT CAACCCGGGA
501 CCGATGATCG GGTTACCTGG GTTAAATCGG TCGACGAAGC CATCGCGGCG
551 TGTGGTGACG TACCAGAAAT CATGGTGATT GGCGGCGGAC GCGTTTATGA
601 ACAGTTCTTG CAAAAGCGC AAAAAGTGTG TCTGACGCAT ATCGATGCAG
651 AAGTGAAGG CGACACCCAT TTTCCGGATT ACGAGCCGGA TGAAGGGGAA
701 TCGGTATTCA GCGAATTCCA CGATGCTGAT GCGCAGAACT CGCATAGCTA
751 TTGTTTCGAA ATCCTCGAGC GTCGTGCCGG CTAATGTACA AAGCTTGGTA
```

# pST44 plasmid suite

Tan, Kern & Selleck, Prot. Expr. Purif.,  
40:385-395, 2005

plasmid **pST50Trc2-STRHISNDHFR**

cassette 1 coding region 131 to 724

location on DNA card C6

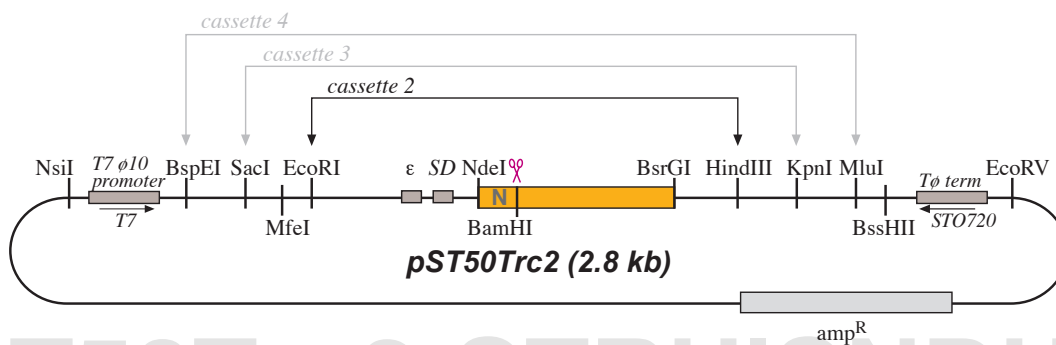
N-term tag 131 to 235

plasmid # 30

antibiotic resistance ampicillin

antib. resist. coding region 1023 to 1884

plasmid map:



pST50Trc2-STRHISNDHFR

**sequence** pST50Trc2-STRHISNDHFR Length: 3373 Type: N Check: 7052 ..  
(first 800 bp)

```
1 GGCACCATGC ATCGATCCCG CGAAATTAAT ACGACTCACT ATAGGGAGAC
51 CACAACGGTT TCCCTCCGGC TCCGGAGAGC TCCAATTGGA ATTCAATAAT
101 TTTGTTTAAC TTTAAGAAGG AGATATACAT ATGGCAAGCT GGAGCCACCC
151 GCAGTTCGAG AAAGGATCTA GCCATCATCA TCATCATCAC AGCAGCGGAT
201 CTGGTGGTGG TGGTGGTGAA AACCTGTACT TCCAGGGATC CATCAGTCTG
251 ATTGCGGCGC TAGCGGTAGA TCGCGTTATC GGCATGGAAA ACGCCATGCC
301 ATGGAACCTG CCTGCCGATC TCGCCTGGTT TAAACGCAAC ACCTTAAATA
351 AACCCGTGAT TATGGGGCGC CATACTGGG AATCAATCGG TAGGCCTTTG
401 CCCGGCCGCA AAAATATTAT CCTCAGCAGT CAACCCGGGA CCGATGATCG
451 GGTTACCTGG GTTAAATCGG TCGACGAAGC CATCGCGGCG TGTGGTGACG
501 TACCAGAAAT CATGGTGATT GCGGCGGAC GCGTTTATGA ACAGTTCTTG
551 CCAAAGCGC AAAAACTGTA TCTGACGCAT ATCGATGCAG AAGTGAAGG
601 CGACACCCAT TTTCCGGATT ACGAGCCGGA TGA CTGGGAA TCGGTATTCA
651 GCGAATTCCA CGATGCTGAT GCGCAGAACT CGCATAGCTA TTGTTTCGAA
701 ATCCTCGAGC GTCGTGCCGG CTAATGTACA AAGCTTGGTA CCACGCGTGC
751 GCGCTGATCC GGCTGCTAAC AAAGCCCGAA AGGAAGCTGA GTTGGCTGCT
```

# pST44 plasmid suite

Tan, Kern & Selleck, Prot. Expr. Purif.,  
40:385-395, 2005

plasmid **pST50Trc2-FLAGHISNDHFR**

cassette 1 coding region 131 to 727

location on DNA card C7

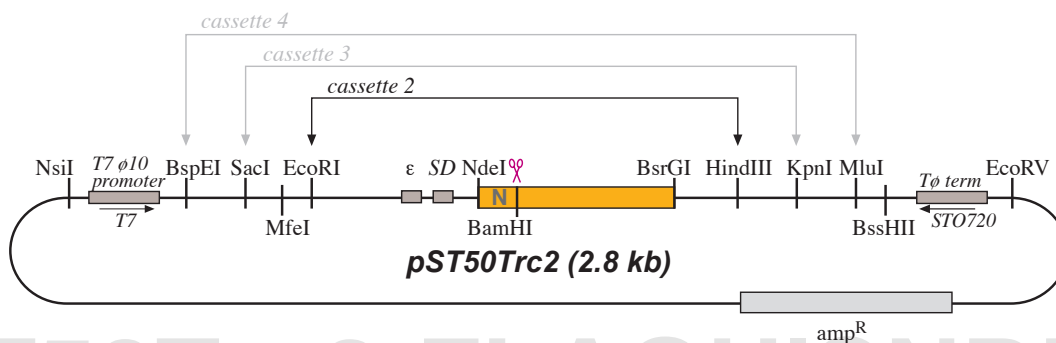
N-term tag 131 to 238

plasmid # 31

antibiotic resistance ampicillin

antib. resist. coding region 1026 to 1887

plasmid map:



pST50Trc2-FLAGHISNDHFR

**sequence** pST50Trc2-FLAGHISNDHFR Length: 3376 Type: N Check: 7158 ..  
(first 800 bp)

```
1 GGCACCATGC ATCGATCCCG CGAAATTAAT ACGACTCACT ATAGGGAGAC
51 CACAACGGTT TCCCTCCGGC TCCGGAGAGC TCCAATTGGA ATTCAATAAT
101 TTTGTTTAAC TTTAAGAAGG AGATATACAT ATGGGAGACT ACAAGGACGA
151 TGATGACAAG GGATCTGGCA GCAGCCATCA TCATCATCAT CACAGCAGCG
201 GATCTGGTGG TGGTGGTGGT GAAAACCTGT ACTTCCAGGG ATCCATCAGT
251 CTGATTGCGG CGCTAGCGGT AGATCGCGTT ATCGGCATGG AAAACGCCAT
301 GCCATGGAAC CTGCCTGCCG ATCTCGCCTG GTTTAAACGC AACACCTTAA
351 ATAAACCCGT GATTATGGGG CGCCATACCT GGAATCAAT CGGTAGGCCT
401 TTGCCCGGCC GCAAAAATAT TATCCTCAGC AGTCAACCCG GGACCGATGA
451 TCGGGTTACC TGGGTAAAT CGGTGACGA AGCCATCGCG GCGTGTGGTG
501 ACGTACCAGA AATCATGGTG ATTGGCGGCG GACGCGTTTA TGAACAGTTC
551 TTGCCAAAAG CGCAAAAAC TATCTGACG CATATCGATG CAGAAGTGGA
601 AGGCGACACC CATTTCGG ATTACGAGCC GGATGACTGG GAATCGGTAT
651 TCAGCGAATT CCACGATGCT GATGCGCAGA ACTCGCATAG CTATTGTTTC
701 GAAATCCTCG AGCGTCGTGC CGGCTAATGT ACAAAGCTTG GTACCACGCG
751 TGCGCGCTGA TCCGCTGCT AACAAAGCCC GAAAGGAAGC TGAGTTGGCT
```

# pST44 plasmid suite

Tan, Kern & Selleck, Prot. Expr. Purif.,  
40:385-395, 2005

plasmid **pST50Trc2-HPCHISNDHFR**

cassette 1 coding region 131 to 739

location on DNA card C8

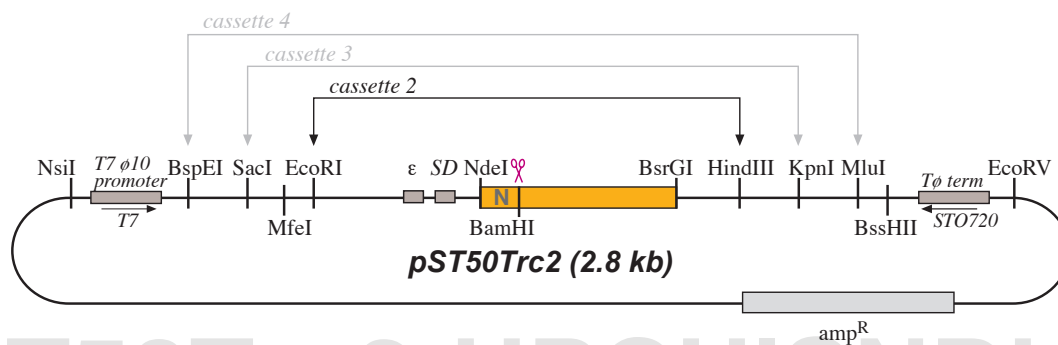
N-term tag 131 to 250

plasmid # 32

antibiotic resistance ampicillin

antib. resist. coding region 1038 to 1899

plasmid map:



pST50Trc2-HPCHISNDHFR

**sequence** pST50Trc2-HPCHISNDHFR Length: 3388 Type: N Check: 7415 ..  
(first 800 bp)

```
1 GGCACCATGC ATCGATCCCG CGAAATTAAT ACGACTCACT ATAGGGAGAC
51 CACAACGGTT TCCCTCCGGC TCCGGAGAGC TCCAATTGGA ATTCAATAAT
101 TTTGTTTAAC TTTAAGAAGG AGATATACAT ATGTCTGAAG ATCAGGTAGA
151 TCCACGTTTA ATCGACGGTA AAGGATCTGG CAGCAGCCAT CATCATCATC
201 ATCACAGCAG CGGATCTGGT GGTGGTGGTG GTGAAAACCT GACTTCCAG
251 GGATCCATCA GTCTGATTGC GGCCTAGCG GTAGATCGCG TTATCGGCAT
301 GGAAAACGCC ATGCCATGGA ACCTGCCTGC CGATCTCGCC TGGTTTAAAC
351 GCAACACCTT AAATAAACCC GTGATTATGG GGCGCCATAC CTGGAATCA
401 ATCGGTAGGC CTTTGCCCGG CCGCAAAAAT ATTATCCTCA GCAGTCAACC
451 CGGGACCGAT GATCGGGTTA CCTGGGTAA ATCGGTGCGAC GAAGCCATCG
501 CGGCGTGTGG TGACGTACCA GAAATCATGG TGATTGGCGG CGGACGCGTT
551 TATGAACAGT TCTTGCCAAA AGCGCAAAAA CTGTATCTGA CGCATATCGA
601 TGCAGAAGTG GAAGGCGACA CCCATTTTCC GGATTACGAG CCGGATGACT
651 GGAATCGGT ATTCAGCGAA TTCCACGATG CTGATGCGCA GAACTCGCAT
701 AGCTATTGTT TCGAAATCCT CGAGCGTCGT GCCGGCTAAT GTACAAAGCT
751 TGGTACCACG CGTGCGCGCT GATCCGGCTG CTAACAAAGC CCGAAAGGAA
```

# pST44 plasmid suite

Tan, Kern & Selleck, Prot. Expr. Purif.,  
40:385-395, 2005

plasmid **pST50Trc2-DHFRHIS**

cassette 1 coding region 131 to 640

location on DNA card C9

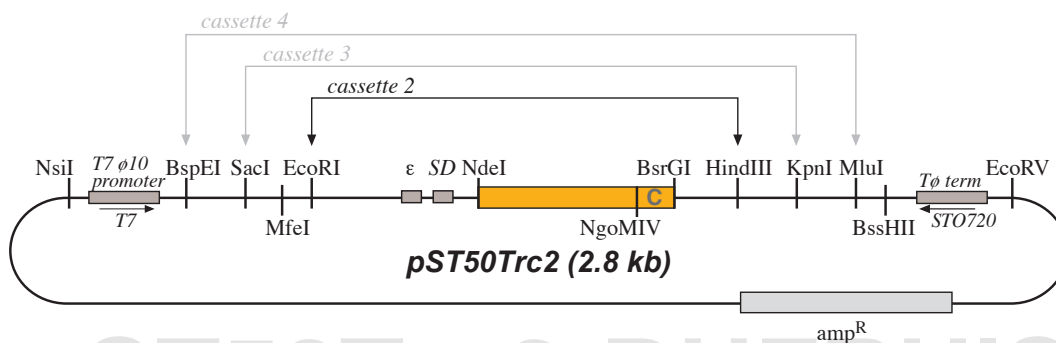
plasmid # 33

C-term tag 614 to 640

antibiotic resistance ampicillin

antib. resist. coding region 939 to 1800

plasmid map:



**sequence** pST50Trc2-DHFRHIS Length: 3289 Type: N Check: 888 ..  
(first 800 bp)

```
1 GGCACCATGC ATCGATCCCG CGAAATTAAT ACGACTCACT ATAGGGAGAC
51 CACAACGGTT TCCCTCCGGC TCCGGAGAGC TCCAATTGGA ATTCAATAAT
101 TTTGTTTAAC TTTAAGAAGG AGATATACAT ATGGGATCCA TCAGTCTGAT
151 TGCGGCGCTA GCGGTAGATC GCGTTATCGG CATGGAAAAC GCCATGCCAT
201 GGAACCTGCC TGCCGATCTC GCCTGGTTTA AACGCAACAC CTTAAATAAA
251 CCCGTGATTA TGGGGCGCCA TACCTGGGAA TCAATCGGTA GGCCTTTGCC
301 CGGCCGCAA AATATTATCC TCAGCAGTCA ACCCGGGACC GATGATCGGG
351 TTACCTGGGT TAAATCGGTC GACGAAGCCA TCGCGGCGTG TGGTGACGTA
401 CCAGAAATCA TGGTGATTGG CGGCGGACGC GTTTATGAAC AGTTCTTGCC
451 AAAAGCGCAA AAAGTGTATC TGACGCATAT CGATGCAGAA GTGGAAGGCG
501 ACACCCATTT TCCGATTAC GAGCCGGATG ACTGGAATC GGTATTCAGC
551 GAATTCCACG ATGCTGATGC GCAGAACTCG CATAGCTATT GTTTCGAAAT
601 CCTCGAGCGT CGTGCCGGCC ACCACCACCA CCACCACTAA TGTACAAAGC
651 TTGGTACCAC GCGTGCGCGC TGATCCGGCT GCTAACAAAG CCCGAAAGGA
701 AGCTGAGTTG GCTGCTGCCA CCGCTGAGCA ATAAGTAGCA TAACCCCTTG
751 GGGCCTCTAA ACGGGTCTTG AGGGGTTTTT TGCTGAAAGG AGGAACTATA
```

# pST44 plasmid suite

Tan, Kern & Selleck, Prot. Expr. Purif.,  
40:385-395, 2005

plasmid **pST50Trc2-DHFRSTR**

cassette 1 coding region 131 to 652

location on DNA card C10

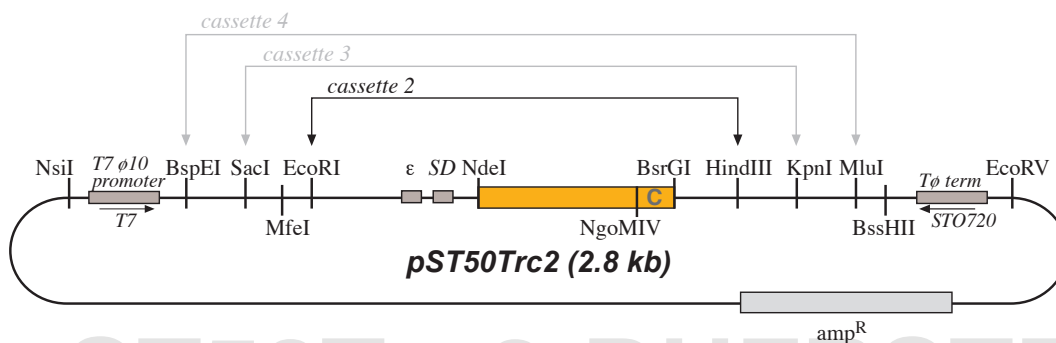
plasmid # 34

C-term tag 614 to 652

antibiotic resistance ampicillin

antib. resist. coding region 951 to 1812

plasmid map:



pST50Trc2-DHFRSTR

**sequence** pST50Trc2-DHFRSTR Length: 3301 Type: N Check: 8598 ..  
(first 800 bp)

```
1 GGCACCATGC ATCGATCCCG CGAAATTAAT ACGACTCACT ATAGGGAGAC
51 CACAACGGTT TCCCTCCGGC TCCGGAGAGC TCCAATTGGA ATTCAATAAT
101 TTTGTTTAAC TTTAAGAAGG AGATATACAT ATGGGATCCA TCAGTCTGAT
151 TGCGGCGCTA GCGGTAGATC GCGTTATCGG CATGGAAAAC GCCATGCCAT
201 GGAACCTGCC TGCCGATCTC GCCTGGTTTA AACGCAACAC CTTAAATAAA
251 CCCGTGATTA TGGGGCGCCA TACCTGGGAA TCAATCGGTA GGCCTTTGCC
301 CGGCCGAAA AATATTATCC TCAGCAGTCA ACCCGGGACC GATGATCGGG
351 TTACCTGGGT TAAATCGGTC GACGAAGCCA TCGCGGCGTG TGGTGACGTA
401 CCAGAAATCA TGGTGATTGG CGGCGGACGC GTTTATGAAC AGTTCTTGCC
451 AAAAGCGCAA AAAGTGTATC TGACGCATAT CGATGCAGAA GTGGAAGGCG
501 ACACCCATTT TCCGATTAC GAGCCGGATG ACTGGAATC GGTATTGAGC
551 GAATTCCACG ATGCTGATGC GCAGAAGTCC CATAGCTATT GTTTCGAAAT
601 CCTCGAGCGT CGTGCCGGCA GCGCTTGGAG CCACCCGCAG TTCGAAAAAT
651 AATGTACAAA GCTTGGTACC ACGCGTGCGC GCTGATCCGG CTGCTAACAA
701 AGCCCGAAAG GAAGCTGAGT TGGCTGCTGC CACCGCTGAG CAATAACTAG
751 CATAACCCCT TGGGGCCTCT AAACGGGTCT TGAGGGGTTT TTTGCTGAAA
```

# pST44 plasmid suite

Tan, Kern & Selleck, Prot. Expr. Purif.,  
40:385-395, 2005

plasmid **pST50Trc2-DHFRFLAG**

cassette 1 coding region 131 to 646

location on DNA card C11

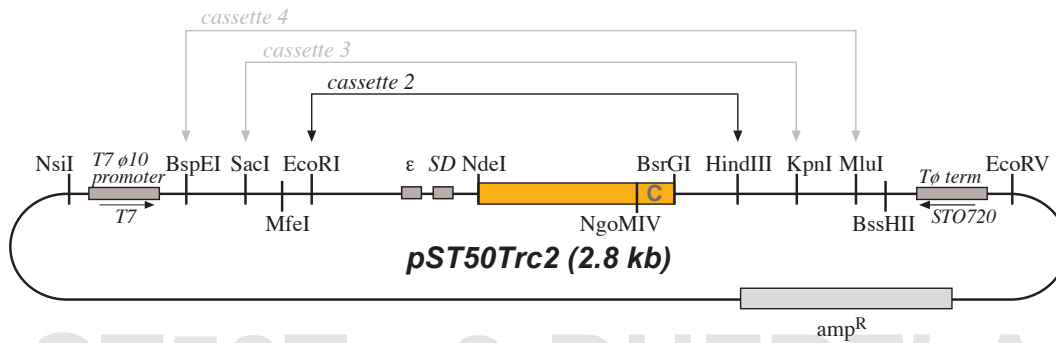
plasmid # 35

C-term tag 614 to 646

antibiotic resistance ampicillin

antib. resist. coding region 945 to 1806

plasmid map:



**sequence** pST50Trc2-DHFRFLAG Length: 3295 Type: N Check: 7025 ..  
(first 800 bp)

```
1 GGCACCATGC ATCGATCCCG CGAAATTAAT ACGACTCACT ATAGGGAGAC
51 CACAACGGTT TCCCTCCGGC TCCGGAGAGC TCCAATTGGA ATTCAATAAT
101 TTTGTTTAAC TTTAAGAAGG AGATATACAT ATGGGATCCA TCAGTCTGAT
151 TGCGGCGCTA GCGGTAGATC GCGTTATCGG CATGGAAAAC GCCATGCCAT
201 GGAACCTGCC TGCCGATCTC GCCTGGTTTA AACGCAACAC CTTAAATAAA
251 CCCGTGATTA TGGGGCGCCA TACCTGGGAA TCAATCGGTA GGCCTTTGCC
301 CGGCCGAAA AATATTATCC TCAGCAGTCA ACCCGGGACC GATGATCGGG
351 TTACCTGGGT TAAATCGGTC GACGAAGCCA TCGCGGCGTG TGGTGACGTA
401 CCAGAAATCA TGGTGATTGG CGGCGGACGC GTTTATGAAC AGTTCTTGCC
451 AAAAGCGCAA AAAGTGTATC TGACGCATAT CGATGCAGAA GTGGAAGGCG
501 ACACCCATTT TCCGATTAC GAGCCGGATG ACTGGAATC GGTATTACAGC
551 GAATTCCACG ATGCTGATGC GCAGAACTCG CATAGCTATT GTTTCGAAAT
601 CCTCGAGCGT CGTGCCGGCG ACTACAAGGA CGATGATGAC AAGTAATGTA
651 CAAAGCTTGG TACCACGCGT GCGCGCTGAT CCGGCTGCTA ACAAAGCCCG
701 AAAGGAAGCT GAGTTGGCTG CTGCCACCGC TGAGCAATAA CTAGCATAAC
751 CCCTTGGGGC CTCTAAACGG GTCTTGAGGG GTTTTTTGCT GAAAGGAGGA
```

# pST44 plasmid suite

Tan, Kern & Selleck, Prot. Expr. Purif.,  
40:385-395, 2005

plasmid **pST50Trc2-DHFRCYD**

cassette 1 coding region 131 to 637

location on DNA card C12

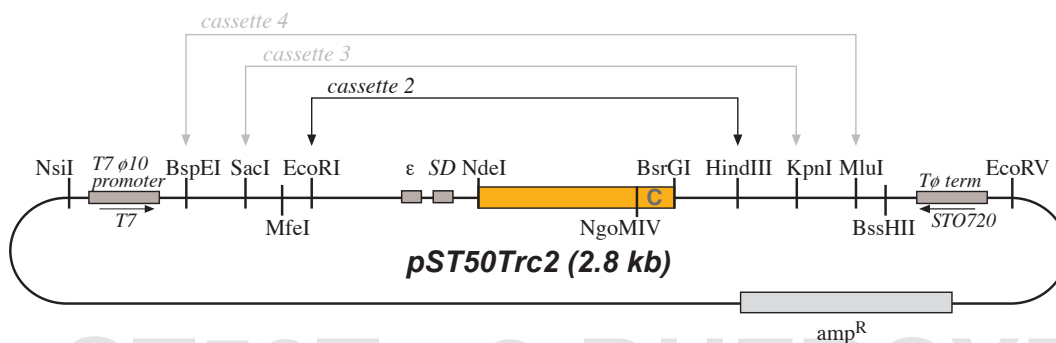
plasmid # 36

C-term tag 614 to 637

antibiotic resistance ampicillin

antib. resist. coding region 936 to 1797

plasmid map:



pST50Trc2-DHFRCYD

**sequence** pST50Trc2-DHFRCYD Length: 3286 Type: N Check: 7982 ..  
(first 800 bp)

```
1 GGCACCATGC ATCGATCCCG CGAAATTAAT ACGACTCACT ATAGGGAGAC
51 CACAACGGTT TCCCTCCGGC TCCGGAGAGC TCCAATTGGA ATTCAATAAT
101 TTTGTTTAAC TTAAAGAAGG AGATATACAT ATGGGATCCA TCAGTCTGAT
151 TGCGGCGCTA GCGGTAGATC GCGTTATCGG CATGGAAAAC GCCATGCCAT
201 GGAACCTGCC TGCCGATCTC GCCTGGTTTA AACGCAACAC CTTAAATAAA
251 CCCGTGATTA TGGGGCGCCA TACCTGGGAA TCAATCGGTA GGCCTTTGCC
301 CGGCCGCAA AATATTATCC TCAGCAGTCA ACCCGGGACC GATGATCGGG
351 TTACCTGGGT TAAATCGGTC GACGAAGCCA TCGCGGCGTG TGGTGACGTA
401 CCAGAAATCA TGGTGATTGG CGGCGGACGC GTTTATGAAC AGTTCTTGCC
451 AAAAGCGCAA AAAGTGTATC TGACGCATAT CGATGCAGAA GTGGAAGGCG
501 ACACCCATTT TCCGATTAC GAGCCGGATG ACTGGGAATC GGTATTACAG
551 GAATTCCACG ATGCTGATGC GCAGAACTCG CATAGCTATT GTTTCGAAAT
601 CCTCGAGCGT CGTGCCGGCA CCGAATTTTG CGCTTAATGT ACAAAGCTTG
651 GTACCACGCG TGC GCGCTGA TCCGGCTGCT AACAAAGCCC GAAAGGAAGC
701 TGAGTTGGCT GCTGCCACCG CTGAGCAATA ACTAGCATAA CCCCTTGGGG
751 CCTCTAAACG GGTCTTGAGG GGTTTTTTGC TGAAAGGAGG AACTATATCG
```

# pST44 plasmid suite

Tan, Kern & Selleck, Prot. Expr. Purif.,  
40:385-395, 2005

plasmid **pST50Trc3-HISDHFR**

cassette 1 coding region 119 to 643

location on DNA card D1

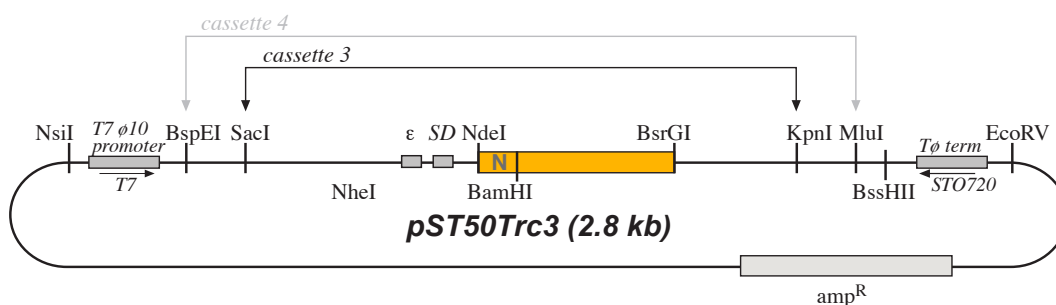
N-term tag 119 to 154

plasmid # 37

antibiotic resistance ampicillin

antib. resist. coding region 936 to 1797

plasmid map:



## pST50Trc3-HISDHFR

**sequence** pST50Trc3-HISDHFR Length: 3286 Type: N Check: 5931 ..  
(first 800 bp)

```
1 GGCACCATGC ATCGATCCCG CGAAATTAAT ACGACTCACT ATAGGGAGAC
51 CACAACGGTT TCCCTCCGGC TCCGGAGAGC TCAATAATTT TGTTTAACTT
101 TAAGAAGGAG ATATACATAT GGCAGCAGC CATCATCATC ATCATCACAG
151 CAGCGGATCC ATCAGTCTGA TTGCGGCGCT AGCGGTAGAT CGCGTTATCG
201 GCATGGAAAA CGCCATGCCA TGGAACCTGC CTGCCGATCT CGCCTGGTTT
251 AAACGCAACA CCTTAAATAA ACCCGTGATT ATGGGGCGCC ATACCTGGGA
301 ATCAATCGGT AGGCCTTTGC CCGGCCGCAA AAATATTATC CTCAGCAGTC
351 AACCCGGGAC CGATGATCGG GTTACCTGGG TTAATCGGT CGACGAAGCC
401 ATCGCGGCGT GTGGTGACGT ACCAGAAATC ATGGTGATTG GCGGCGGACG
451 CGTTTATGAA CAGTTCTTGC CAAAAGCGCA AAAACTGTAT CTGACGCATA
501 TCGATGCAGA AGTGAAGGC GACACCCATT TTCCGGATTA CGAGCCGGAT
551 GACTGGGAAT CGGTATTCAG CGAATTCAC GATGCTGATG CGCAGAACTC
601 GCATAGCTAT TGTTTCGAAA TCCTCGAGCG TCGTGCCGGC TAATGTACAG
651 GTACCACGCG TGC GCGCTGA TCCGGCTGCT AACAAAGCCC GAAAGGAAGC
701 TGAGTTGGCT GCTGCCACCG CTGAGCAATA ACTAGCATAA CCCCTTGGGG
751 CCTCTAAACG GGTCTTGAGG GGTTTTTTGC TGAAAGGAGG AACTATATCG
```

# pST44 plasmid suite

Tan, Kern & Selleck, Prot. Expr. Purif.,  
40:385-395, 2005

plasmid **pST50Trc3-CBPDHFR**

cassette 1 coding region 119 to 694

location on DNA card D2

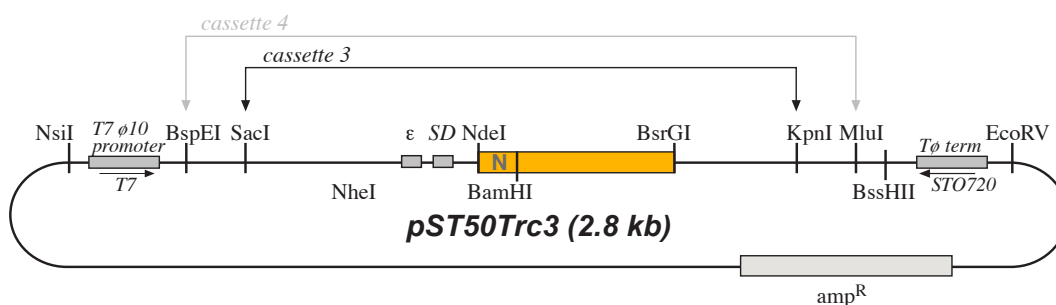
N-term tag 119 to 205

plasmid # 38

antibiotic resistance ampicillin

antib. resist. coding region 987 to 1848

plasmid map:



# pST50Trc3-CBPDHFR

**sequence** pST50Trc3-CBPDHFR Length: 3337 Type: N Check: 6191 ..  
(first 800 bp)

```
1 GGCACCATGC ATCGATCCCG CGAAATTAAT ACGACTCACT ATAGGGAGAC
51 CACAACGGTT TCCCTCCGGC TCCGGAGAGC TCAATAATTT TGTTTAACTT
101 TAAGAAGGAG ATATACATAT GTCTAAGCGA CGATGGAAAA AGAATTTTCAT
151 AGCCGTCTCA GCAGCCAACC GCTTTAAGAA AATCTCATCC TCCGGGGCAC
201 TTCTGGGATC CATCAGTCTG ATTGCGGGCG TAGCGGTAGA TCGCGTTATC
251 GGCATGGAAA ACGCCATGCC ATGGAACCTG CCTGCCGATC TCGCCTGGTT
301 TAAACGCAAC ACCTTAAATA AACCCGTGAT TATGGGGCGC CATACTGGG
351 AATCAATCGG TAGGCCTTTG CCCGGCCGCA AAAATATTAT CCTCAGCAGT
401 CAACCCGGGA CCGATGATCG GGTACCTGG GTTAAATCGG TCGACGAAGC
451 CATCGCGGCG TGTGGTGACG TACCAGAAAT CATGGTGATT GGCGGCGGAC
501 GCGTTTATGA ACAGTTCTTG CAAAAGCGC AAAAAGTGTG TCTGACGCAT
551 ATCGATGCAG AAGTGGAAGG CGACACCCAT TTTCCGGATT ACGAGCCGGA
601 TGA CTGGGAA TCGGTATTCA GCGAATTCCA CGATGCTGAT GCGCAGAACT
651 CGCATAGCTA TTGTTTCGAA ATCCTCGAGC GTCGTGCCGG CTAATGTACA
701 GGTACCACGC GTGCGCGCTG ATCCGGCTGC TAACAAAGCC CGAAAGGAAG
751 CTGAGTTGGC TGCTGCCACC GCTGAGCAAT AACTAGCATA ACCCCTTGGG
```

# pST44 plasmid suite

Tan, Kern & Selleck, Prot. Expr. Purif.,  
40:385-395, 2005

plasmid **pST50Trc3-STRDHFR**

cassette 1 coding region 119 to 640

location on DNA card D3

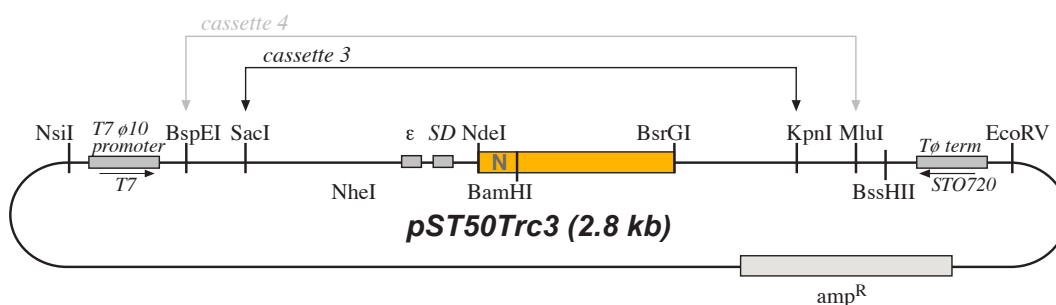
N-term tag 119 to 151

plasmid # 39

antibiotic resistance ampicillin

antib. resist. coding region 933 to 1794

plasmid map:



# pST50Trc3-STRDHFR

**sequence** pST50Trc3-STRDHFR Length: 3283 Type: N Check: 2459 ..  
(first 800 bp)

```
1 GGCACCATGC ATCGATCCCG CGAAATTAAT ACGACTCACT ATAGGGAGAC
51 CACAACGGTT TCCCTCCGGC TCCGGAGAGC TCAATAATTT TGTTAACTT
101 TAAGAAGGAG ATATACATAT GGCAAGCTGG AGCCACCCGC AGTTCGAGAA
151 AGGATCCATC AGTCTGATTG CGGCGCTAGC GGTAGATCGC GTTATCGGCA
201 TGGAAAACGC CATGCCATGG AACCTGCCTG CCGATCTCGC CTGGTTTAAA
251 CGCAACACCT TAAATAAACC CGTGATTATG GGGCGCCATA CCTGGGAATC
301 AATCGGTAGG CCTTTGCCCG GCCGCAAAA TATTATCCTC AGCAGTCAAC
351 CCGGGACCGA TGATCGGGTT ACCTGGGTTA AATCGGTCGA CGAAGCCATC
401 GCGGCGTGTG GTGACGTACC AGAAATCATG GTGATTGGCG GCGGACGCGT
451 TTATGAACAG TTCTTGCCAA AAGCGCAAAA ACTGTATCTG ACGCATATCG
501 ATGCAGAAGT GGAAGGCGAC ACCCATTTCG CGGATTACGA GCCGGATGAC
551 TGGGAATCGG TATTCAGCGA ATTCCACGAT GCTGATGCGC AGAACTCGCA
601 TAGCTATTGT TTCGAAATCC TCGAGCGTCG TGCCGGCTAA TGTACAGGTA
651 CCACGCGTGC GCGCTGATCC GGCTGCTAAC AAAGCCCGAA AGGAAGCTGA
701 GTTGCTGCT GCCACCGCTG AGCAATAACT AGCATAACCC CTTGGGGCCT
751 CTAACCGGGT CTTGAGGGGT TTTTGTCTGA AAGGAGGAAC TATATCGGGA
```

# pST44 plasmid suite

Tan, Kern & Selleck, Prot. Expr. Purif.,  
40:385-395, 2005

## plasmid pST50Trc3-FLAGDHFR

cassette 1 coding region 119 to 637

location on DNA card D4

N-term tag 119 to 148

plasmid # 40

antibiotic resistance ampicillin

antib. resist. coding region 930 to 1791

plasmid map:



# pST50Trc3-FLAGDHFR

**sequence** pST50Trc3-FLAGDHFR Length: 3280 Type: N Check: 8905 ..  
(first 800 bp)

```
1 GGCACCATGC ATCGATCCCG CGAAATTAAT ACGACTCACT ATAGGGAGAC
51 CACAACGGTT TCCCTCCGGC TCCGGAGAGC TCAATAATTT TGTTAACTT
101 TAAGAAGGAG ATATACATAT GGGAGACTAC AAGGACGATG ATGACAAGGG
151 ATCCATCAGT CTGATTGCGG CGCTAGCGGT AGATCGCGTT ATCGGCATGG
201 AAAACGCCAT GCCATGGAAC CTGCCTGCCG ATCTCGCCTG GTTTAAACGC
251 AACACCTTAA ATAAACCCGT GATTATGGGG CGCCATACCT GGAATCAAT
301 CGGTAGGCCT TTGCCCGGCC GCAAAAATAT TATCCTCAGC AGTCAACCCG
351 GGACCGATGA TCGGGTTACC TGGGTAAAT CGGTCGACGA AGCCATCGCG
401 GCGTGTGGTG ACGTACCAGA AATCATGGTG ATTGGCGGCG GACGCGTTTA
451 TGAACAGTTC TTGCCAAAAG CGCAAAAAC TATCTGACG CATATCGATG
501 CAGAAGTGA AGGCGACACC CATTTCCTCG ATTACGAGCC GGATGACTGG
551 GAATCGGTAT TCAGCGAATT CCACGATGCT GATGCGCAGA ACTCGCATAG
601 CTATTGTTTC GAAATCCTCG AGCGTCGTGC CGGCTAATGT ACAGGTACCA
651 CGCGTGCGCG CTGATCCGGC TGCTAACAAA GCCCGAAAGG AAGCTGAGTT
701 GGCTGCTGCC ACCGCTGAGC AATAACTAGC ATAACCCCTT GGGCCTCTA
751 AACGGTCTT GAGGGGTTTT TTGCTGAAAG GAGGAACTAT ATCGGGATTA
```

# pST44 plasmid suite

Tan, Kern & Selleck, Prot. Expr. Purif.,  
40:385-395, 2005

plasmid **pST50Trc3-HPCDHFR**

cassette 1 coding region 119 to 649

location on DNA card D5

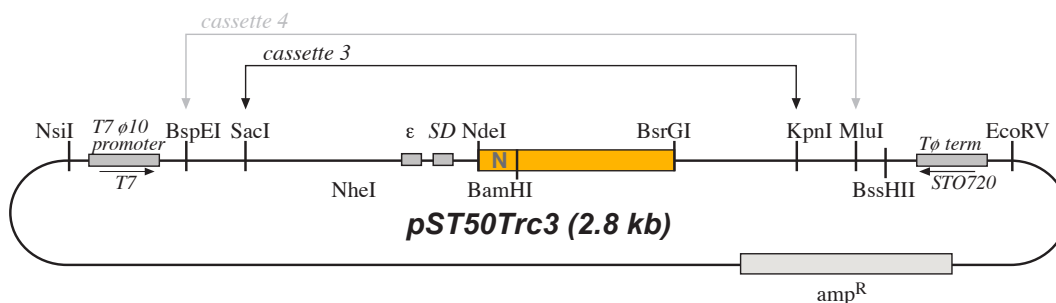
N-term tag 119 to 160

plasmid # 41

antibiotic resistance ampicillin

antib. resist. coding region 942 to 1803

plasmid map:



## pST50Trc3-HPCDHFR

**sequence** pST50Trc3-HPCDHFR Length: 3292 Type: N Check: 2803 ..  
(first 800 bp)

```
1 GGCACCATGC ATCGATCCCG CGAAATTAAT ACGACTCACT ATAGGGAGAC
51 CACAACGGTT TCCCTCCGGC TCCGGAGAGC TCAATAATTT TGTTAACTT
101 TAAGAAGGAG ATATACATAT GTCTGAAGAT CAGGTAGATC CACGTTTAAT
151 CGACGGTAAA GGATCCATCA GTCTGATTGC GGCCTAGCG GTAGATCGCG
201 TTATCGGCAT GGAAAACGCC ATGCCATGGA ACCTGCCTGC CGATCTCGCC
251 TGGTTTAAAC GCAACACCTT AAATAAACCC GTGATTATGG GGCGCCATAC
301 CTGGGAATCA ATCGGTAGGC CTTTGCCCGG CCGCAAAAAT ATTATCCTCA
351 GCAGTCAACC CGGGACCGAT GATCGGGTTA CCTGGGTAA ATCGGTGCGAC
401 GAAGCCATCG CGGCGTGTGG TGACGTACCA GAAATCATGG TGATTGGCGG
451 CGGACGCGTT TATGAACAGT TCTTGCCAAA AGCGCAAAAA CTGTATCTGA
501 CGCATATCGA TGCAGAAGTG GAAGGCGACA CCCATTTTCC GGATTACGAG
551 CCGGATGACT GGAATCGGT ATTCAGCGAA TTCCACGATG CTGATGCGCA
601 GAACTCGCAT AGCTATTGTT TCGAAATCCT CGAGCGTCGT GCCGGCTAAT
651 GTACAGGTAC CACGCGTGCG CGCTGATCCG GCTGCTAACA AAGCCCGAAA
701 GGAAGCTGAG TTGGCTGCTG CCACCGCTGA GCAATAACTA GCATAACCCC
751 TTGGGCCTC TAAACGGGTC TTGAGGGGTT TTTTGCTGAA AGGAGGAACT
```

# pST44 plasmid suite

Tan, Kern & Selleck, Prot. Expr. Purif.,  
40:385-395, 2005

plasmid **pST50Trc3-HISNDHFR**

cassette 1 coding region 119 to 682

location on DNA card D6

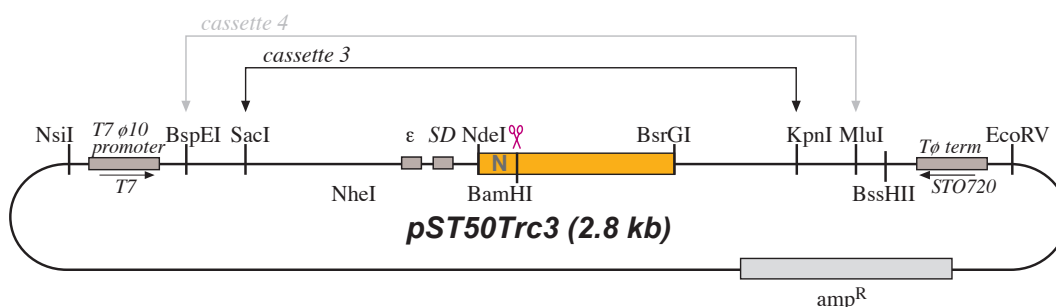
N-term tag 119 to 193

plasmid # 42

antibiotic resistance ampicillin

antib. resist. coding region 975 to 1836

plasmid map:



pST50Trc3-HISNDHFR

**sequence** pST50Trc3-HISNDHFR Length: 3325 Type: N Check: 3326 ..  
(first 800 bp)

```
1 GGCACCATGC ATCGATCCCG CGAAATTAAT ACGACTCACT ATAGGGAGAC
51 CACAACGGTT TCCCTCCGGC TCCGGAGAGC TCAATAATTT TGTTAACTT
101 TAAGAAGGAG ATATACATAT GGCAGCAGC CATCATCATC ATCATCACAG
151 CAGCGGATCT GGTGGTGGTG GTGGTGAAAA CCTGTACTTC CAGGGATCCA
201 TCAGTCTGAT TGCGGCGCTA GCGGTAGATC GCGTTATCGG CATGGAAAAC
251 GCCATGCCAT GGAACCTGCC TGCCGATCTC GCCTGGTTTA AACGCAACAC
301 CTAAATAAAA CCCGTGATTA TGGGGCGCCA TACCTGGGAA TCAATCGGTA
351 GGCCTTTGCC CGGCCGCAA AATATTATCC TCAGCAGTCA ACCCGGGACC
401 GATGATCGGG TTACCTGGGT TAAATCGGTC GACGAAGCCA TCGCGGCGTG
451 TGGTGACGTA CCAGAAATCA TGGTGATTGG CGGCGGACGC GTTTATGAAC
501 AGTTCTTGCC AAAAGCGCAA AACTGTATC TGACGCATAT CGATGCAGAA
551 GTGGAAGGCG ACACCCATTT TCCGGATTAC GAGCCGGATG ACTGGAATC
601 GGTATTCAGC GAATTCCACG ATGCTGATGC GCAGAACTCG CATAGCTATT
651 GTTTCGAAAT CCTCGAGCGT CGTGCCGGCT AATGTACAGG TACCACGCGT
701 GCGCGCTGAT CCGGCTGCTA ACAAAGCCCG AAAGGAAGCT GAGTTGGCTG
751 CTGCCACCGC TGAGCAATAA CTAGCATAAC CCCTTGGGGC CTCTAACGG
```

# pST44 plasmid suite

Tan, Kern & Selleck, Prot. Expr. Purif.,  
40:385-395, 2005

plasmid **pST50Trc3-CBPNDHFR**

cassette 1 coding region 119 to 733

location on DNA card D7

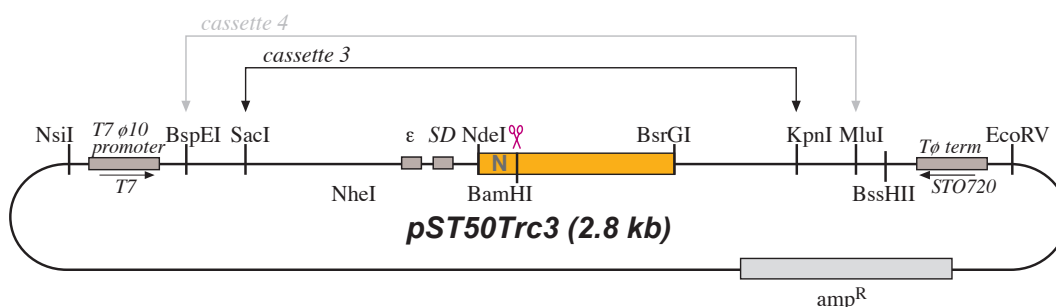
N-term tag 119 to 244

plasmid # 43

antibiotic resistance ampicillin

antib. resist. coding region 1026 to 1887

plasmid map:



pST50Trc3-CBPNDHFR

**sequence** pST50Trc3-CBPNDHFR Length: 3376 Type: N Check: 8006 ..  
(first 800 bp)

```
1 GGCACCATGC ATCGATCCCG CGAAATTAAT ACGACTCACT ATAGGGAGAC
51 CACAACGGTT TCCCTCCGGC TCCGGAGAGC TCAATAATTT TGTTAACTT
101 TAAGAAGGAG ATATACATAT GTCTAAGCGA CGATGGAAAA AGAATTTTCAT
151 AGCCGTCTCA GCAGCCAACC GCTTTAAGAA AATCTCATCC TCCGGGGCAC
201 TTCTGGGATC TGGTGGTGGT GGTGGTGAAA ACCTGTACTT CCAGGGATCC
251 ATCAGTCTGA TTGCGGCGCT AGCGGTAGAT CGCGTTATCG GCATGGAAAA
301 CGCCATGCCA TGGAACTGCT CTGCCGATCT CGCCTGGTTT AAACGCAACA
351 CCTTAAATAA ACCCGTGATT ATGGGGCGCC ATACCTGGGA ATCAATCGGT
401 AGGCCTTTGC CCGGCCGCAA AAATATTATC CTCAGCAGTC AACCCGGGAC
451 CGATGATCGG GTTACCTGGG TTAAATCGGT CGACGAAGCC ATCGCGGCGT
501 GTGGTGACGT ACCAGAAATC ATGGTGATTG GCGGCGGACG CGTTTATGAA
551 CAGTTCTTGC CAAAAGCGCA AAAACTGTAT CTGACGCATA TCGATGCAGA
601 AGTGAAGGC GACACCCATT TTCCGATTA CGAGCCGGAT GACTGGGAAT
651 CGGTATTCAG CGAATTCAC GATGCTGATG CGCAGAACTC GCATAGCTAT
701 TGTTTCGAAA TCCTCGAGCG TCGTGCCGGC TAATGTACAG GTACCACGCG
751 TGCGCGCTGA TCCGCTGCT AACAAAGCCC GAAAGGAAGC TGAGTTGGCT
```

# pST44 plasmid suite

Tan, Kern & Selleck, Prot. Expr. Purif.,  
40:385-395, 2005

## plasmid pST50Trc3-STRNDHFR

cassette 1 coding region 119 to 679

location on DNA card D8

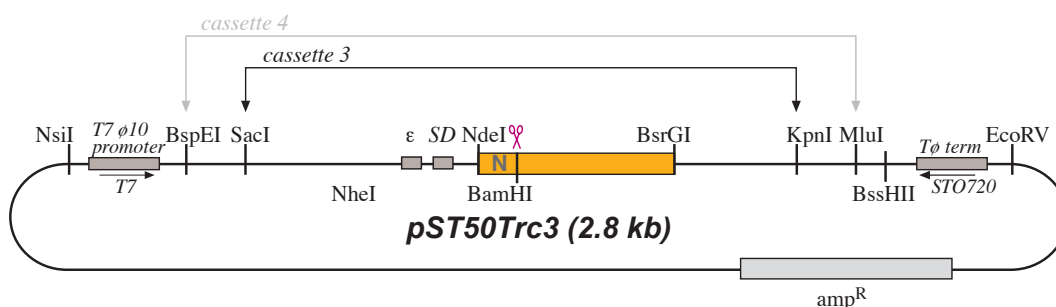
N-term tag 119 to 190

plasmid # 44

antibiotic resistance ampicillin

antib. resist. coding region 972 to 1833

plasmid map:



pST50Trc3-STRNDHFR

**sequence** pST50Trc3-STRNDHFR Length: 3322 Type: N Check: 6877 ..  
(first 800 bp)

```
1 GGCACCATGC ATCGATCCCG CGAAATTAAT ACGACTCACT ATAGGGAGAC
51 CACAACGGTT TCCCTCCGGC TCCGGAGAGC TCAATAATTT TGTTAACTT
101 TAAGAAGGAG ATATACATAT GGCAAGCTGG AGCCACCCGC AGTTCGAGAA
151 AGGATCTGGT GGTGGTGGTG GTGAAAACCT GTACTTCCAG GGATCCATCA
201 GTCTGATTGC GGCCTAGCG GTAGATCGCG TTATCGGCAT GGAAAACGCC
251 ATGCCATGGA ACCTGCCTGC CGATCTCGCC TGGTTTAAAC GCAACACCTT
301 AAATAAACCC GTGATTATGG GGCGCCATAC CTGGGAATCA ATCGGTAGGC
351 CTTTGCCCGG CCGCAAAAAT ATTATCCTCA GCAGTCAACC CGGGACCGAT
401 GATCGGGTTA CCTGGGTAA ATCGGTTCGAC GAAGCCATCG CGGCGTGTGG
451 TGACGTACCA GAAATCATGG TGATTGGCGG CGGACGCGTT TATGAACAGT
501 TCTTGCCAAA AGCGCAAAA CTGTATCTGA CGCATATCGA TGCAGAAGTG
551 GAAGGCGACA CCCATTTTCC GGATTACGAG CCGGATGACT GGAATCGGT
601 ATTCAGCGAA TTCCACGATG CTGATGCGCA GAACTCGCAT AGCTATTGTT
651 TCGAAATCCT CGAGCGTCGT GCCGGCTAAT GTACAGGTAC CACGCGTGCG
701 CGCTGATCCG GCTGCTAACA AAGCCCGAAA GGAAGCTGAG TTGGCTGCTG
751 CCACCGCTGA GCAATAACTA GCATAACCC TTGGGCCTC TAAACGGGTC
```

# pST44 plasmid suite

Tan, Kern & Selleck, Prot. Expr. Purif.,  
40:385-395, 2005

## plasmid pST50Trc3-FLAGNDHFR

cassette 1 coding region 119 to 676

location on DNA card D9

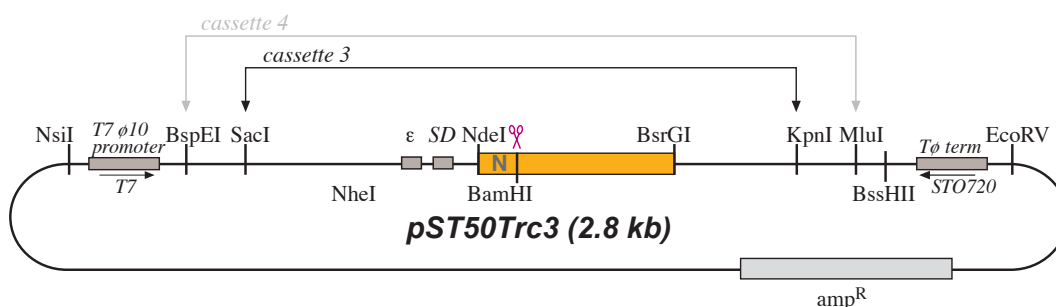
N-term tag 119 to 187

plasmid # 45

antibiotic resistance ampicillin

antib. resist. coding region 969 to 1830

plasmid map:



# pST50Trc3-FLAGNDHFR

**sequence** pST50Trc3-FLAGNDHFR Length: 3319 Type: N Check: 720 ..  
(first 800 bp)

```
1 GGCACCATGC ATCGATCCCG CGAAATTAAT ACGACTCACT ATAGGGAGAC
51 CACAACGGTT TCCCTCCGGC TCCGGAGAGC TCAATAATTT TGTTTAACTT
101 TAAGAAGGAG ATATACATAT GGGAGACTAC AAGGACGATG ATGACAAGGG
151 ATCTGGTGGT GGTGGTGGTG AAAACCTGTA CTTCCAGGGA TCCATCAGTC
201 TGATTGCGGC GCTAGCGGTA GATCGCGTTA TCGGCATGGA AAACGCCATG
251 CCATGGAACC TGCCTGCCGA TCTCGCCTGG TTTAAACGCA ACACCTTAAA
301 TAAACCCGTG ATTATGGGGC GCCATACCTG GGAATCAATC GGTAGGCCTT
351 TGCCCGGCCG CAAAATATT ATCCTCAGCA GTCAACCCGG GACCGATGAT
401 CGGGTTACCT GGGTTAAATC GGTCGACGAA GCCATCGCGG CGTGTGGTGA
451 CGTACCAGAA ATCATGGTGA TTGGCGGCGG ACGCGTTTAT GAACAGTTCT
501 TGCCAAAAGC GCAAAAACCTG TATCTGACGC ATATCGATGC AGAAGTGGAA
551 GGCGACACCC ATTTTCCGGA TTACGAGCCG GATGACTGGG AATCGGTATT
601 CAGCGAATTC CACGATGCTG ATGCGCAGAA CTCGCATAGC TATTGTTTCG
651 AAATCCTCGA GCGTCGTGCC GGCTAATGTA CAGGTACCAC GCGTGCGCGC
701 TGATCCGGCT GCTAACAAG CCCGAAAGGA AGCTGAGTTG GCTGCTGCCA
751 CCGCTGAGCA ATAAC TAGCA TAACCCCTTG GGCCTCTAA ACGGGTCTTG
```

# pST44 plasmid suite

Tan, Kern & Selleck, Prot. Expr. Purif.,  
40:385-395, 2005

plasmid **pST50Trc3-HPCNDHFR**

cassette 1 coding region 119 to 688

location on DNA card D10

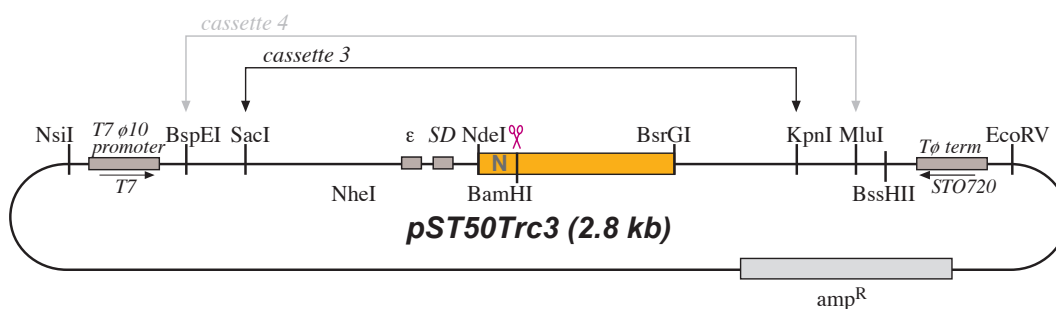
N-term tag 119 to 199

plasmid # 46

antibiotic resistance ampicillin

antib. resist. coding region 981 to 1842

plasmid map:



pST50Trc3-HPCNDHFR

**sequence** pST50Trc3-HPCNDHFR Length: 3331 Type: N Check: 6330 ..  
(first 800 bp)

```
1 GGCACCATGC ATCGATCCCG CGAAATTAAT ACGACTCACT ATAGGGAGAC
51 CACAACGGTT TCCCTCCGGC TCCGGAGAGC TCAATAATTT TGTTAACTT
101 TAAGAAGGAG ATATACATAT GTCTGAAGAT CAGGTAGATC CACGTTTAAT
151 CGACGGTAAA GGATCTGGTG GTGGTGGTGG TGAAAACCTG TACTTCCAGG
201 GATCCATCAG TCTGATTGCG GCGCTAGCGG TAGATCGCGT TATCGGCATG
251 GAAAACGCCA TGCCATGGAA CCTGCCTGCC GATCTCGCCT GGTTTAAACG
301 CAACACCTTA AATAAACCCG TGATTATGGG GCGCCATACC TGGGAATCAA
351 TCGGTAGGCC TTTGCCCGGC CGAAAAATA TTATCCTCAG CAGTCAACCC
401 GGGACCGATG ATCGGGTTAC CTGGGTAAA TCGGTCGACG AAGCCATCGC
451 GCGTGTGGT GACGTACCAG AAATCATGGT GATTGGCGGC GGACGCGTTT
501 ATGAACAGTT CTTGCCAAA GCGCAAAAAC TGTATCTGAC GCATATCGAT
551 GCAGAAGTGG AAGGCGACAC CCATTTTCCG GATTACGAGC CGGATGACTG
601 GGAATCGGTA TTCAGCGAAT TCCACGATGC TGATGCGCAG AACTCGCATA
651 GCTATTGTTT CGAAATCCTC GAGCGTCGTG CCGGCTAATG TACAGGTACC
701 ACGCGTGCGC GCTGATCCGG CTGCTAACAA AGCCCGAAAG GAAGCTGAGT
751 TGGCTGCTGC CACCGCTGAG CAATAACTAG CATAACCCCT TGGGCCTCT
```

# pST44 plasmid suite

Tan, Kern & Selleck, Prot. Expr. Purif.,  
40:385-395, 2005

plasmid **pST50Trc3-CBPHISNDHFR**

cassette 1 coding region 119 to 772

location on DNA card D11

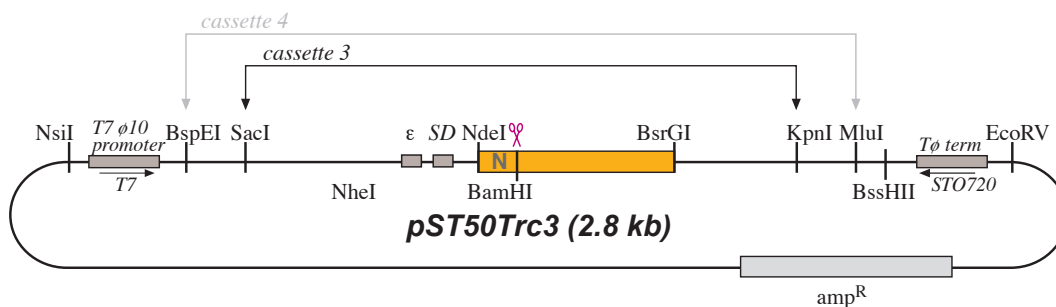
N-term tag 119 to 283

plasmid # 47

antibiotic resistance ampicillin

antib. resist. coding region 1065 to 1926

plasmid map:



# pST50Trc3-CBPHISNDHFR

**sequence** pST50Trc3-CBPHISNDHFR Length: 3415 Type: N Check: 9215 ..  
(first 800 bp)

```
1 GGCACCATGC ATCGATCCCG CGAAATTAAT ACGACTCACT ATAGGGAGAC
51 CACAACGGTT TCCCTCCGGC TCCGGAGAGC TCAATAATTT TGTTAACTT
101 TAAGAAGGAG ATATACATAT GTCTAAGCGA CGATGGAAAA AGAATTCAT
151 AGCCGTCTCA GCAGCCAACC GCTTTAAGAA AATCTCATCC TCCGGGGCAC
201 TTCTGGGATC TGGCAGCAGC CATCATCATC ATCATCACAG CAGCGGATCT
251 GGTGGTGGTG GTGGTGAAAA CCTGTACTTC CAGGGATCCA TCAGTCTGAT
301 TGCGGCGCTA GCGGTAGATC GCGTTATCGG CATGGAAAAC GCCATGCCAT
351 GGAACCTGCC TGCCGATCTC GCCTGGTTTA AACGCAACAC CTTAAATAAA
401 CCCGTGATTA TGGGGCGCCA TACCTGGGAA TCAATCGGTA GGCCTTTGCC
451 CGGCCGAAA AATATTATCC TCAGCAGTCA ACCCGGGACC GATGATCGGG
501 TTACCTGGGT TAAATCGGTC GACGAAGCCA TCGCGGCGTG TGGTGACGTA
551 CCAGAAATCA TGGTGATTGG CGGCGGACGC GTTTATGAAC AGTTCTTGCC
601 AAAAGCGCAA AACTGTATC TGACGCATAT CGATGCAGAA GTGGAAGGCG
651 ACACCCATTT TCCGATTAC GAGCCGGATG ACTGGAATC GGTATTCAGC
701 GAATTCCACG ATGCTGATGC GCAGAACTCG CATAGCTATT GTTTCGAAAT
751 CCTCGAGCGT CGTGCCGGCT AATGTACAGG TACCACGCGT GCGCGCTGAT
```

# pST44 plasmid suite

Tan, Kern & Selleck, Prot. Expr. Purif.,  
40:385-395, 2005

plasmid **pST50Trc3-STRHISNDHFR**

cassette 1 coding region 119 to 712

location on DNA card D12

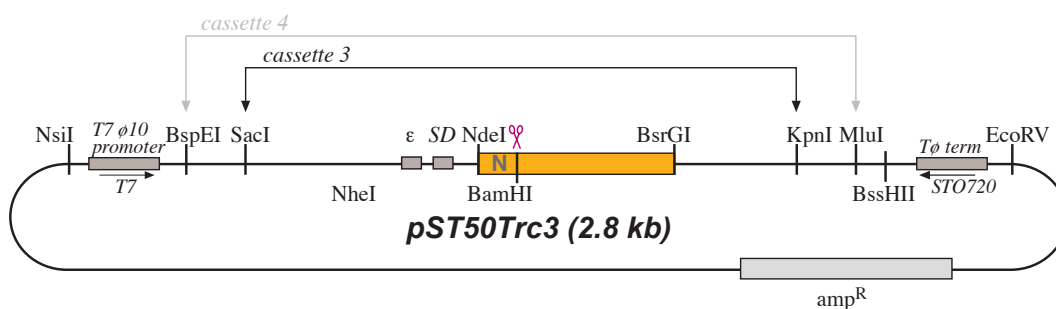
N-term tag 119 to 223

plasmid # 48

antibiotic resistance ampicillin

antib. resist. coding region 1005 to 1866

plasmid map:



# pST50Trc3-STRHISNDHFR

**sequence** pST50Trc3-STRHISNDHFR Length: 3355 Type: N Check: 966 ..  
(first 800 bp)

```
1 GGCACCATGC ATCGATCCCG CGAAATTAAT ACGACTCACT ATAGGGAGAC
51 CACAACGGTT TCCCTCCGGC TCCGGAGAGC TCAATAATTT TGTTAACTT
101 TAAGAAGGAG ATATACATAT GGCAAGCTGG AGCCACCCGC AGTTCGAGAA
151 AGGATCTAGC CATCATCATC ATCATCACAG CAGCGGATCT GGTGGTGGTG
201 GTGGTGAAAA CCTGTACTTC CAGGGATCCA TCAGTCTGAT TGCGGCGCTA
251 GCGGTAGATC GCGTTATCGG CATGGAAAAC GCCATGCCAT GGAACCTGCC
301 TGCCGATCTC GCCTGGTTTA AACGCAACAC CTAAATAAAA CCCGTGATTA
351 TGGGGCGCCA TACCTGGGAA TCAATCGGTA GGCCTTTGCC CGGCCGCAAA
401 AATATTATCC TCAGCAGTCA ACCCGGGACC GATGATCGGG TTACCTGGGT
451 TAAATCGGTC GACGAAGCCA TCGCGGCGTG TGGTGACGTA CCAGAAATCA
501 TGGTGATTGG CGGCGGACGC GTTTATGAAC AGTTCTTGCC AAAAGCGCAA
551 AAAGTGTATC TGACGCATAT CGATGCAGAA GTGGAAGGCG ACACCCATTT
601 TCCGATTAC GAGCCGGATG ACTGGAATC GGTATTCAGC GAATTCCACG
651 ATGCTGATGC GCAGAACTCG CATAGCTATT GTTTCGAAAT CCTCGAGCGT
701 CGTGCCGGCT AATGTACAGG TACCACGCGT GCGCGCTGAT CCGGCTGCTA
751 ACAAAGCCCG AAAGGAAGCT GAGTTGGCTG CTGCCACCGC TGAGCAATAA
```

# pST44 plasmid suite

Tan, Kern & Selleck, Prot. Expr. Purif.,  
40:385-395, 2005

plasmid **pST50Trc3-FLAGHISNDHFR**

cassette 1 coding region 119 to 709

location on DNA card E1

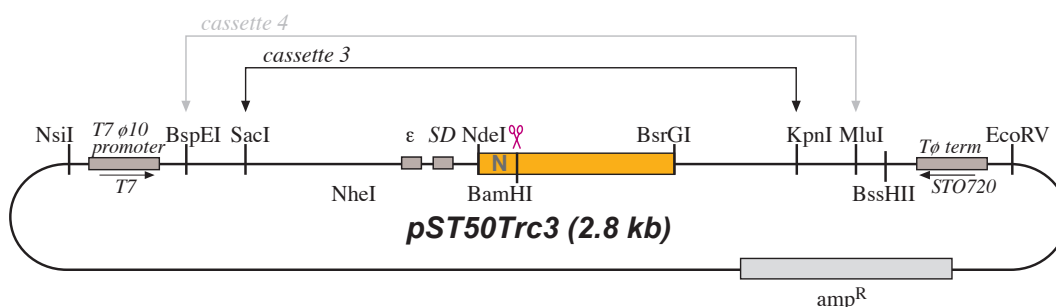
N-term tag 119 to 220

plasmid # 49

antibiotic resistance ampicillin

antib. resist. coding region 1002 to 1863

plasmid map:



# pST50Trc3-FLAGHISNDHFR

**sequence** pST50Trc3-FLAGHISNDHFR Length: 3352 Type: N Check: 1688 ..  
(first 800 bp)

```
1 GGCACCATGC ATCGATCCCG CGAAATTAAT ACGACTCACT ATAGGGAGAC
51 CACAACGGTT TCCCTCCGGC TCCGGAGAGC TCAATAATTT TGTTTAACTT
101 TAAGAAGGAG ATATACATAT GGGAGACTAC AAGGACGATG ATGACAAGGG
151 ATCTAGCCAT CATCATCATC ATCACAGCAG CGGATCTGGT GGTGGTGGTG
201 GTGAAAACCT GTACTTCCAG GGATCCATCA GTCTGATTGC GGCCTAGCG
251 GTAGATCGCG TTATCGGCAT GGAAAACGCC ATGCCATGGA ACCTGCCTGC
301 CGATCTCGCC TGGTTTAAAC GCAACACCTT AAATAAACCC GTGATTATGG
351 GGCGCCATAC CTGGGAATCA ATCGGTAGGC CTTTGCCCGG CCGCAAAAAT
401 ATTATCCTCA GCAGTCAACC CGGACCGAT GATCGGGTTA CCTGGGTAA
451 ATCGGTGCGAC GAAGCCATCG CGGCGTGTGG TGACGTACCA GAAATCATGG
501 TGATTGGCGG CGGACGCGTT TATGAACAGT TCTTGCCAAA AGCGCAAAAA
551 CTGTATCTGA CGCATATCGA TGCAGAAGTG GAAGGCGACA CCCATTTTCC
601 GGATTACGAG CCGGATGACT GGAATCGGT ATTCAGCGAA TTCCACGATG
651 CTGATGCGCA GAACTCGCAT AGCTATTGTT TCGAAATCCT CGAGCGTCGT
701 GCCGGCTAAT GTACAGGTAC CACGCGTGCG CGCTGATCCG GCTGCTAACA
751 AAGCCCGAAA GGAAGCTGAG TTGGCTGCTG CCACCGCTGA GCAATAACTA
```

# pST44 plasmid suite

Tan, Kern & Selleck, Prot. Expr. Purif.,  
40:385-395, 2005

plasmid **pST50Trc3-HPCHISNDHFR**

cassette 1 coding region 119 to 727

location on DNA card E2

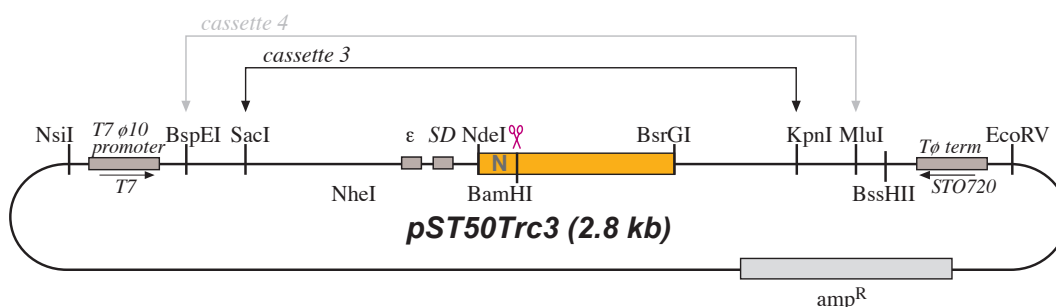
N-term tag 119 to 238

plasmid # 50

antibiotic resistance ampicillin

antib. resist. coding region 1020 to 1881

plasmid map:



# pST50Trc3-HPCHISNDHFR

**sequence** pST50Trc3-HPCHISNDHFR Length: 3370 Type: N Check: 3931 ..  
(first 800 bp)

```
1 GGCACCATGC ATCGATCCCG CGAAATTAAT ACGACTCACT ATAGGGAGAC
51 CACAACGGTT TCCCTCCGGC TCCGGAGAGC TCAATAATTT TGTTAACTT
101 TAAGAAGGAG ATATACATAT GTCTGAAGAT CAGGTAGATC CACGTTTAAT
151 CGACGGTAAA GGATCTGGCA GCAGCCATCA TCATCATCAT CACAGCAGCG
201 GATCTGGTGG TGGTGGTGGT GAAAACCTGT ACTTCCAGGG ATCCATCAGT
251 CTGATTGCGG CGCTAGCGGT AGATCGCGTT ATCGGCATGG AAAACGCCAT
301 GCCATGGAAC CTGCCTGCCG ATCTCGCCTG GTTTAAACGC AACACCTTAA
351 ATAAACCCGT GATTATGGGG CGCCATACCT GGAATCAAT CGGTAGGCCT
401 TTGCCCGGCC GCAAAAATAT TATCCTCAGC AGTCAACCCG GGACCGATGA
451 TCGGGTTACC TGGGTAAAT CGGTGACGA AGCCATCGCG GCGTGTGGTG
501 ACGTACCAGA AATCATGGTG ATTGGCGGCG GACGCGTTTA TGAACAGTTC
551 TTGCCAAAAG CGCAAAAACGT GTATCTGACG CATATCGATG CAGAAGTGGA
601 AGGCGACACC CATTTTCCGG ATTACGAGCC GGATGACTGG GAATCGGTAT
651 TCAGCGAATT CCACGATGCT GATGCGCAGA ACTCGCATAG CTATTGTTTC
701 GAAATCCTCG AGCGTCGTGC CGGCTAATGT ACAGGTACCA CGCGTGCCGG
751 CTGATCCGGC TGCTAACAAA GCCCGAAAGG AAGCTGAGTT GGCTGCTGCC
```

# pST44 plasmid suite

Tan, Kern & Selleck, Prot. Expr. Purif.,  
40:385-395, 2005

plasmid **pST50Trc3-DHFRHIS**

cassette 1 coding region 119 to 628

location on DNA card E3

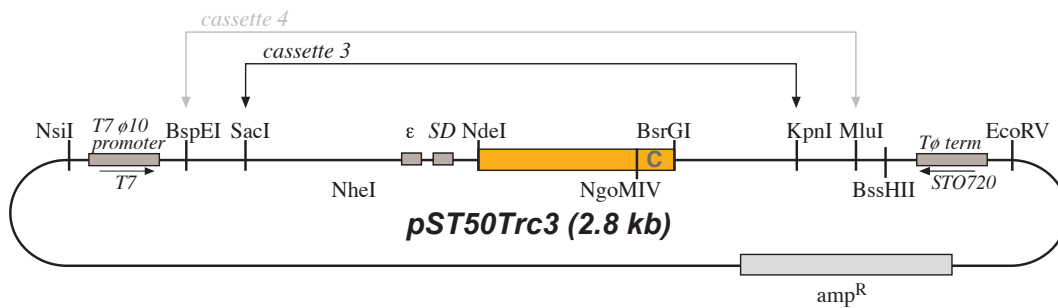
plasmid # 51

C-term tag 602 to 628

antibiotic resistance ampicillin

antib. resist. coding region 921 to 1782

plasmid map:



## pST50Trc3-DHFRHIS

**sequence** pST50Trc3-DHFRHIS Length: 3271 Type: N Check: 3988 ..  
(first 800 bp)

```
1 GGCACCATGC ATCGATCCCG CGAAATTAAT ACGACTCACT ATAGGGAGAC
51 CACAACGGTT TCCCTCCGGC TCCGGAGAGC TCAATAATTT TGTTAACTT
101 TAAGAAGGAG ATATACATAT GGGATCCATC AGTCTGATTG CGGCGCTAGC
151 GGTAGATCGC GTTATCGGCA TGGAAAACGC CATGCCATGG AACCTGCCTG
201 CCGATCTCGC CTGGTTTAAA CGCAACACCT TAAATAAACC CGTGATTATG
251 GGGCGCCATA CCTGGGAATC AATCGGTAGG CCTTTGCCCC GCCGCAAAAA
301 TATTATCCTC AGCAGTCAAC CCGGGACCGA TGATCGGGTT ACCTGGGTTA
351 AATCGGTCGA CGAAGCCATC GCGGCGTGTG GTGACGTACC AGAAATCATG
401 GTGATTGGCG GCGGACGCGT TTATGAACAG TTCTTGCCAA AAGCGCAAAA
451 ACTGTATCTG ACGCATATCG ATGCAGAAGT GGAAGGCGAC ACCCATTTTC
501 CGGATTACGA GCCGGATGAC TGGGAATCGG TATTCAGCGA ATTCCACGAT
551 GCTGATGCGC AGAACTCGCA TAGCTATTGT TTCGAAATCC TCGAGCGTCG
601 TGCCGGCCAC CACCACCACC ACCACTAATG TACAGGTACC ACGCGTGCGC
651 GCTGATCCGG CTGCTAACAA AGCCCCGAAAG GAAGCTGAGT TGGCTGCTGC
701 CACCGCTGAG CAATAACTAG CATAACCCCT TGGGGCCTCT AAACGGGTCT
751 TGAGGGGTTT TTTGCTGAAA GGAGGAACTA TATCGGGATT AGCCCGCCTA
```

# pST44 plasmid suite

Tan, Kern & Selleck, Prot. Expr. Purif.,  
40:385-395, 2005

plasmid **pST50Trc3-DHFRSTR**

cassette 1 coding region 119 to 640

location on DNA card E4

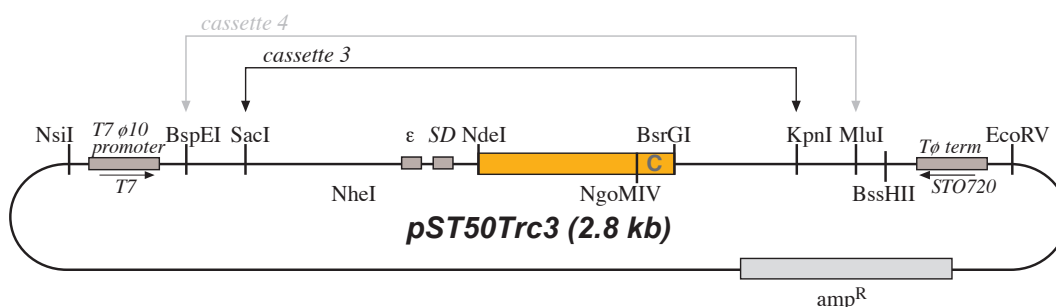
plasmid # 52

C-term tag 602 to 640

antibiotic resistance ampicillin

antib. resist. coding region 933 to 1794

plasmid map:



**pST50Trc3-DHFRSTR**

**sequence** pST50Trc3-DHFRSTR Length: 3283 Type: N Check: 8743 ..  
(first 800 bp)

```
1 GGCACCATGC ATCGATCCCG CGAAATTAAT ACGACTCACT ATAGGGAGAC
51 CACAACGGTT TCCCTCCGGC TCCGGAGAGC TCAATAATTT TGTTAACTT
101 TAAGAAGGAG ATATACATAT GGGATCCATC AGTCTGATTG CGGCGCTAGC
151 GGTAGATCGC GTTATCGGCA TGGAAAACGC CATGCCATGG AACCTGCCTG
201 CCGATCTCGC CTGGTTTAAA CGCAACACCT TAAATAAACC CGTGATTATG
251 GGGCGCCATA CCTGGGAATC AATCGGTAGG CCTTTGCCCC GCCGCAAAAA
301 TATTATCCTC AGCAGTCAAC CCGGGACCGA TGATCGGGTT ACCTGGGTTA
351 AATCGGTCGA CGAAGCCATC GCGGCGTGTG GTGACGTACC AGAAATCATG
401 GTGATTGGCG GCGGACGCGT TTATGAACAG TTCTTGCCAA AAGCGCAAAA
451 ACTGTATCTG ACGCATATCG ATGCAGAAGT GGAAGGCGAC ACCCATT TTC
501 CGGATTACGA GCCGGATGAC TGGGAATCGG TATTCAGCGA ATTCCACGAT
551 GCTGATGCGC AGAACTCGCA TAGCTATTGT TTCGAAATCC TCGAGCGTCG
601 TGCCGGCAGC GCTTGGAGCC ACCCGCAGTT CGAAAAATAA TGTACAGGTA
651 CCACGCGTGC GCGCTGATCC GGCTGCTAAC AAAGCCCGAA AGGAAGCTGA
701 GTTGCTGCT GCCACCGCTG AGCAATAACT AGCATAACCC CTTGGGCCT
751 CTAACGGGT CTTGAGGGGT TTTTGTCTGA AAGGAGGAAC TATATCGGGA
```

# pST44 plasmid suite

Tan, Kern & Selleck, Prot. Expr. Purif.,  
40:385-395, 2005

plasmid **pST50Trc3-DHFRFLAG**

cassette 1 coding region 119 to 634

location on DNA card E5

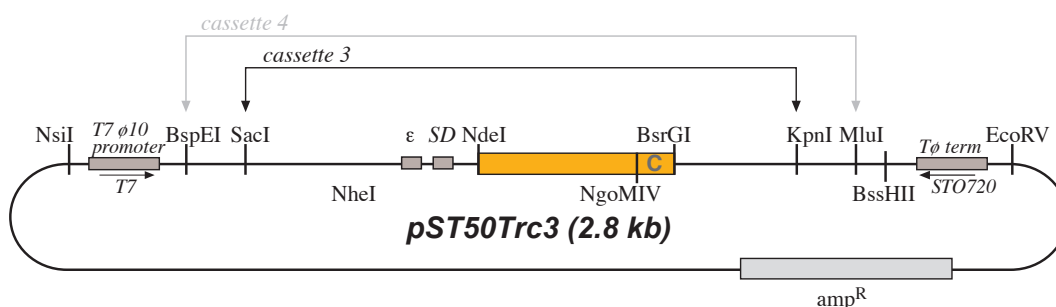
plasmid # 53

C-term tag 602 to 634

antibiotic resistance ampicillin

antib. resist. coding region 927 to 1788

plasmid map:



pST50Trc3-DHFRFLAG

**sequence** pST50Trc3-DHFRFLAG Length: 3277 Type: N Check: 187 ..  
(first 800 bp)

```
1 GGCACCATGC ATCGATCCCG CGAAATTAAT ACGACTCACT ATAGGGAGAC
51 CACAACGGTT TCCCTCCGGC TCCGGAGAGC TCAATAATTT TGTTAACTT
101 TAAGAAGGAG ATATACATAT GGGATCCATC AGTCTGATTG CGGCGCTAGC
151 GGTAGATCGC GTTATCGGCA TGGAAAACGC CATGCCATGG AACCTGCCTG
201 CCGATCTCGC CTGGTTTAAA CGCAACACCT TAAATAAACC CGTGATTATG
251 GGGCGCCATA CCTGGGAATC AATCGGTAGG CCTTTGCCCC GCCGCAAAAA
301 TATTATCCTC AGCAGTCAAC CCGGGACCGA TGATCGGGTT ACCTGGGTTA
351 AATCGGTCGA CGAAGCCATC GCGGCGTGTG GTGACGTACC AGAAATCATG
401 GTGATTGGCG GCGGACGCGT TTATGAACAG TTCTTGCCAA AAGCGCAAAA
451 ACTGTATCTG ACGCATATCG ATGCAGAAGT GGAAGGCGAC ACCCATTTTC
501 CGGATTACGA GCCGGATGAC TGGGAATCGG TATTCAGCGA ATTCCACGAT
551 GCTGATGCGC AGAACTCGCA TAGCTATTGT TTCGAAATCC TCGAGCGTCG
601 TGCCGGCGAC TACAAGGACG ATGATGACAA GTAATGTACA GGTACCACGC
651 GTGCGCGCTG ATCCGGCTGC TAACAAAGCC CGAAAGGAAG CTGAGTTGGC
701 TGCTGCCACC GCTGAGCAAT AACTAGCATA ACCCCTTGGG GCCTCTAAAC
751 GGGTCTTGAG GGGTTTTTTG CTGAAAGGAG GAACTATATC GGGATTAGCC
```

# pST44 plasmid suite

Tan, Kern & Selleck, Prot. Expr. Purif.,  
40:385-395, 2005

plasmid **pST50Trc3-DHFRCYD**

cassette 1 coding region 119 to 625

location on DNA card E6

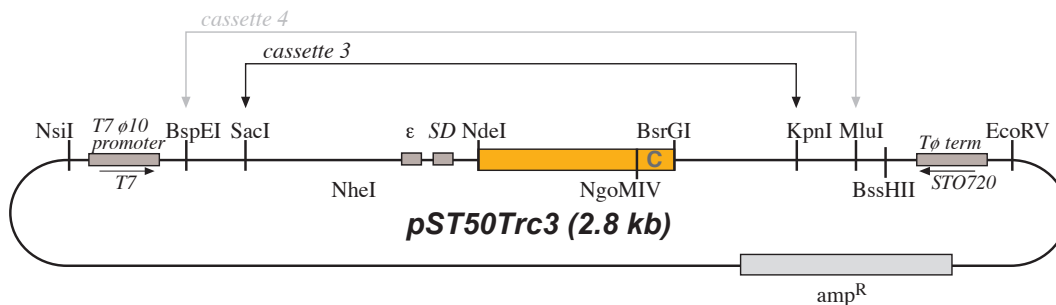
plasmid # 54

C-term tag 602 to 625

antibiotic resistance ampicillin

antib. resist. coding region 918 to 1779

plasmid map:



pST50Trc3-DHFRCYD

**sequence** pST50Trc3-DHFRCYD Length: 3268 Type: N Check: 4193 ..  
(first 800 bp)

```
1 GGCACCATGC ATCGATCCCG CGAAATTAAT ACGACTCACT ATAGGGAGAC
51 CACAACGGTT TCCCTCCGGC TCCGGAGAGC TCAATAATTT TGTTTAACTT
101 TAAGAAGGAG ATATACATAT GGGATCCATC AGTCTGATTG CGGCGCTAGC
151 GGTAGATCGC GTTATCGGCA TGGAAAACGC CATGCCATGG AACCTGCCTG
201 CCGATCTCGC CTGGTTTAAA CGCAACACCT TAAATAAACC CGTGATTATG
251 GGGCGCCATA CCTGGGAATC AATCGGTAGG CCTTTGCCCC GCCGCAAAAA
301 TATTATCCTC AGCAGTCAAC CCGGGACCGA TGATCGGGTT ACCTGGGTTA
351 AATCGGTCGA CGAAGCCATC GCGGCGTGTG GTGACGTACC AGAAATCATG
401 GTGATTGGCG GCGGACGCGT TTATGAACAG TTCTTGCCAA AAGCGCAAAA
451 ACTGTATCTG ACGCATATCG ATGCAGAAGT GGAAGGCGAC ACCCATTTTC
501 CGGATTACGA GCCGGATGAC TGGGAATCGG TATTCAGCGA ATTCCACGAT
551 GCTGATGCGC AGAACTCGCA TAGCTATTGT TTCGAAATCC TCGAGCGTCG
601 TGCCGGCACC GAATTTTGCG CTTAATGTAC AGGTACCACG CGTGCGCGCT
651 GATCCGGCTG CTAACAAAGC CCGAAAGGAA GCTGAGTTGG CTGCTGCCAC
701 CGCTGAGCAA TAACTAGCAT AACCCCTTGG GGCCTCTAAA CGGGTCTTGA
751 GGGGTTTTTT GCTGAAAGGA GGA ACTATAT CGGGATTAGC CCGCCTAATG
```

# pST44 plasmid suite

Tan, Kern & Selleck, Prot. Expr. Purif.,  
40:385-395, 2005

plasmid **pST50Trc4-HISDHFR**

cassette 1 coding region 113 to 637

location on DNA card E7

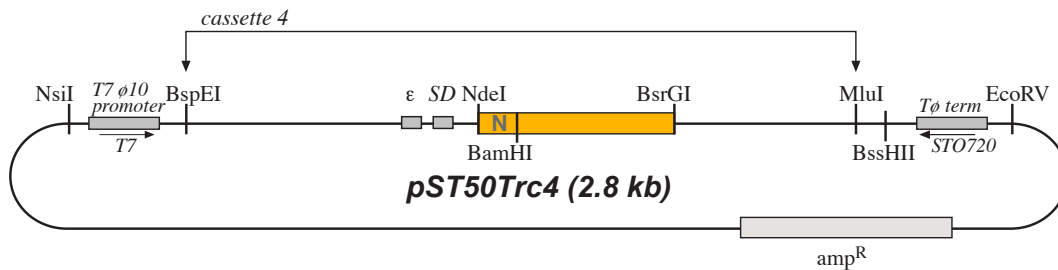
N-term tag 113 to 148

plasmid # 55

antibiotic resistance ampicillin

antib. resist. coding region 924 to 1785

plasmid map:



## pST50Trc4-HISDHFR

**sequence** pST50Trc4-HISDHFR Length: 3274 Type: N Check: 5372 ..  
(first 800 bp)

```
1 GGCACCATGC ATCGATCCCG CGAAATTAAT ACGACTCACT ATAGGGAGAC
51 CACAACGGTT TCCCTCCGGC TCCGGAATA ATTTTGTTTA ACTTTAAGAA
101 GGAGATATAC ATATGGGCAG CAGCCATCAT CATCATCATC ACAGCAGCGG
151 ATCCATCAGT CTGATTGCGG CGCTAGCGGT AGATCGCGTT ATCGGCATGG
201 AAAACGCCAT GCCATGGAAC CTGCCTGCCG ATCTCGCCTG GTTTAAACGC
251 AACACCTTAA ATAAACCCGT GATTATGGGG CGCCATACCT GGAATCAAT
301 CGGTAGGCCT TTGCCCGGCC GCAAAAATAT TATCCTCAGC AGTCAACCCG
351 GGACCGATGA TCGGGTTACC TGGGTAAAT CGGTCGACGA AGCCATCGCG
401 GCGTGTGGTG ACGTACCAGA AATCATGGTG ATTGGCGGCG GACGCGTTTA
451 TGAACAGTTC TTGCCAAAAG CGCAAAAAC TATCTGACG CATATCGATG
501 CAGAAGTGA AGGCGACACC CATTTTCCGG ATTACGAGCC GGATGACTGG
551 GAATCGGTAT TCAGCGAATT CCACGATGCT GATGCGCAGA ACTCGCATAG
601 CTATTGTTTC GAAATCCTCG AGCGTCGTGC CGGCTAATGT ACAACGCGTG
651 CGCGCTGATC CGGCTGCTAA CAAAGCCCGA AAGGAAGCTG AGTTGGCTGC
701 TGCCACCGCT GAGCAATAAC TAGCATAACC CCTTGGGGCC TCTAAACGGG
751 TCTTGAGGGG TTTTTTGCTG AAAGGAGGAA CTATATCGGG ATTAGCCCGC
```

# pST44 plasmid suite

Tan, Kern & Selleck, Prot. Expr. Purif.,  
40:385-395, 2005

plasmid **pST50Trc4-CBPDHFR**

cassette 1 coding region 113 to 688

location on DNA card E8

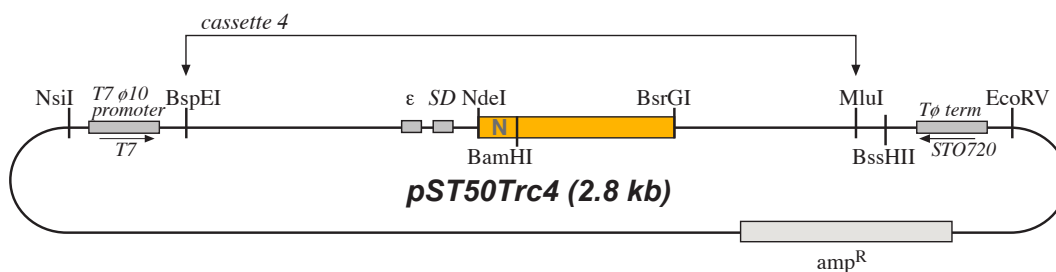
N-term tag 113 to 199

plasmid # 56

antibiotic resistance ampicillin

antib. resist. coding region 975 to 1836

plasmid map:



## pST50Trc4-CBPDHFR

**sequence** pST50Trc4-CBPDHFR Length: 3325 Type: N Check: 995 ..  
(first 800 bp)

```
1 GGCACCATGC ATCGATCCCG CGAAATTAAT ACGACTCACT ATAGGGAGAC
51 CACAACGGTT TCCCTCCGGC TCCGGAATA ATTTTGTTTA ACTTTAAGAA
101 GGAGATATAC ATATGTCTAA GCGACGATGG AAAAAGAATT TCATAGCCGT
151 CTCAGCAGCC AACCGCTTTA AGAAAATCTC ATCCTCCGGG GCACTTCTGG
201 GATCCATCAG TCTGATTGCG GCGCTAGCGG TAGATCGCGT TATCGGCATG
251 GAAAACGCCA TGCCATGGAA CCTGCCTGCC GATCTCGCCT GGTTTAAACG
301 CAACACCTTA AATAAACCCG TGATTATGGG GCGCCATACC TGGGAATCAA
351 TCGGTAGGCC TTTGCCCGGC CGCAAAAATA TTATCCTCAG CAGTCAACCC
401 GGGACCGATG ATCGGGTTAC CTGGGTAAA TCGGTCGACG AAGCCATCGC
451 GCGTGTGGT GACGTACCAG AAATCATGGT GATTGGCGGC GGACGCGTTT
501 ATGAACAGTT CTTGCCAAA GCGCAAAAAC TGTATCTGAC GCATATCGAT
551 GCAGAAGTGG AAGGCGACAC CCATTTTCCG GATTACGAGC CGGATGACTG
601 GGAATCGGTA TTCAGCGAAT TCCACGATGC TGATGCGCAG AACTCGCATA
651 GCTATTGTTT CGAAATCCTC GAGCGTCGTG CCGGCTAATG TACAACGCGT
701 GCGCGCTGAT CCGGCTGCTA ACAAAGCCCG AAAGGAAGCT GAGTTGGCTG
751 CTGCCACCGC TGAGCAATAA CTAGCATAAC CCCTTGGGGC CTCTAACGG
```

# pST44 plasmid suite

Tan, Kern & Selleck, Prot. Expr. Purif.,  
40:385-395, 2005

plasmid **pST50Trc4-STRDHFR**

cassette 1 coding region 113 to 634

location on DNA card E9

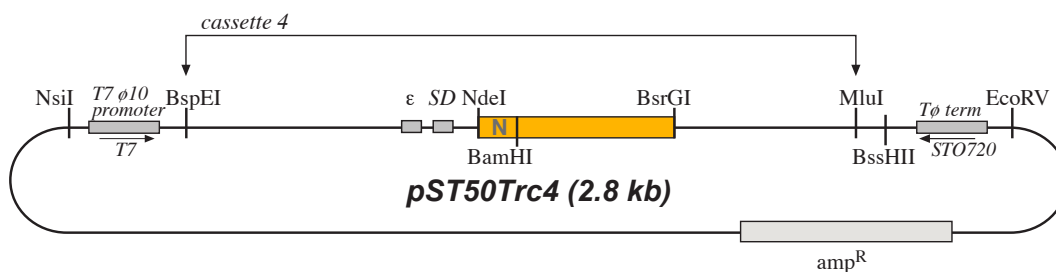
N-term tag 113 to 145

plasmid # 57

antibiotic resistance ampicillin

antib. resist. coding region 921 to 1782

plasmid map:



## pST50Trc4-STRDHFR

**sequence** pST50Trc4-STRDHFR Length: 3271 Type: N Check: 7921 ..  
(first 800 bp)

```
1 GGCACCATGC ATCGATCCCG CGAAATTAAT ACGACTCACT ATAGGGAGAC
51 CACAACGGTT TCCCTCCGGC TCCGGAATA ATTTTGTTTA ACTTTAAGAA
101 GGAGATATAC ATATGGCAAG CTGGAGCCAC CCGCAGTTCG AGAAAGGATC
151 CATCAGTCTG ATTGCGGCGC TAGCGGTAGA TCGCGTTATC GGCATGGAAA
201 ACGCCATGCC ATGGAACCTG CCTGCCGATC TGCCTGGTT TAAACGCAAC
251 ACCTTAAATA AACCCGTGAT TATGGGGCGC CATACTGGG AATCAATCGG
301 TAGGCCTTTG CCCGGCCGCA AAAATATTAT CCTCAGCAGT CAACCCGGGA
351 CCGATGATCG GGTACCTGG GTTAAATCGG TCGACGAAGC CATCGCGGCG
401 TGTGGTGACG TACCAGAAAT CATGGTGATT GGCGGCGGAC GCGTTTATGA
451 ACAGTTCTTG CAAAAGCGC AAAAAGTGTG TCTGACGCAT ATCGATGCAG
501 AAGTGAAGG CGACACCCAT TTTCCGGATT ACGAGCCGGA TGAAGTGGAA
551 TCGGTATTCA GCGAATTCCA CGATGCTGAT GCGCAGAACT CGCATAGCTA
601 TTGTTTCGAA ATCCTCGAGC GTCGTGCCGG CTAATGTACA ACGCGTGCGC
651 GCTGATCCGG CTGCTAACAA AGCCCCGAAAG GAAGCTGAGT TGGCTGCTGC
701 CACCGCTGAG CAATAACTAG CATAACCCCT TGGGGCCTCT AAACGGGTCT
751 TGAGGGGTTT TTTGCTGAAA GGAGGAACTA TATCGGGATT AGCCCCCTA
```

# pST44 plasmid suite

Tan, Kern & Selleck, Prot. Expr. Purif.,  
40:385-395, 2005

plasmid **pST50Trc4-FLAGDHFR**

cassette 1 coding region 113 to 631

location on DNA card E10

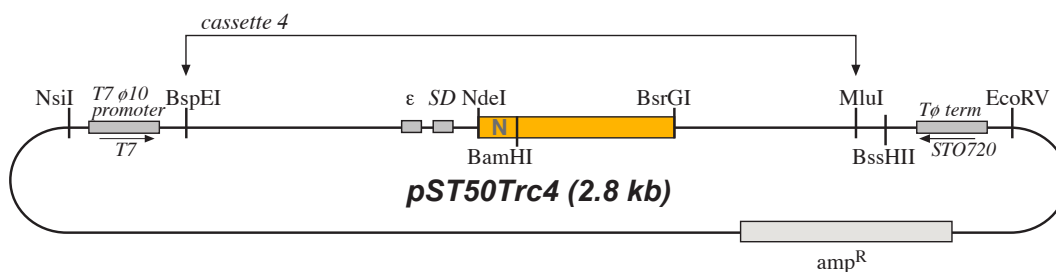
N-term tag 113 to 142

plasmid # 58

antibiotic resistance ampicillin

antib. resist. coding region 918 to 1779

plasmid map:



## pST50Trc4-FLAGDHFR

**sequence** pST50Trc4-FLAGDHFR Length: 3268 Type: N Check: 2686 ..  
(first 800 bp)

```
1 GGCACCATGC ATCGATCCCG CGAAATTAAT ACGACTCACT ATAGGGAGAC
51 CACAACGGTT TCCCTCCGGC TCCGGAATA ATTTTGTTTA ACTTTAAGAA
101 GGAGATATAC ATATGGGAGA CTACAAGGAC GATGATGACA AGGGATCCAT
151 CAGTCTGATT GCGGCGCTAG CGGTAGATCG CGTTATCGGC ATGGAAAACG
201 CCATGCCATG GAACCTGCCT GCCGATCTCG CCTGGTTTAA ACGCAACACC
251 TTAATAAAC CCGTGATTAT GGGGCGCCAT ACCTGGGAAT CAATCGGTAG
301 GCCTTTGCCG GCGCGCAAAA ATATTATCCT CAGCAGTCAA CCCGGGACCG
351 ATGATCGGGT TACCTGGGTT AAATCGGTCTG ACGAAGCCAT CGCGGCGTGT
401 GGTGACGTAC CAGAAATCAT GGTGATTGGC GGCGGACGCG TTTATGAACA
451 GTTCTTGCCA AAAGCGCAAA AACTGTATCT GACGCATATC GATGCAGAAG
501 TGGAAGGCGA CACCCATTTT CCGGATTACG AGCCGGATGA CTGGAATCG
551 GTATTCAGCG AATTCCACGA TGCTGATGCG CAGAACTCGC ATAGCTATTG
601 TTTCGAAATC CTCGAGCGTC GTGCCGGCTA ATGTACAACG CGTGCGCGCT
651 GATCCGGCTG CTAACAAAGC CCGAAAGGAA GCTGAGTTGG CTGCTGCCAC
701 CGCTGAGCAA TAACTAGCAT AACCCCTTGG GGCCTCTAAA CGGGTCTTGA
751 GGGGTTTTTT GCTGAAAGGA GGA ACTATAT CGGGATTAGC CCGCCTAATG
```

# pST44 plasmid suite

Tan, Kern & Selleck, Prot. Expr. Purif.,  
40:385-395, 2005

plasmid **pST50Trc4-HPCDHFR**

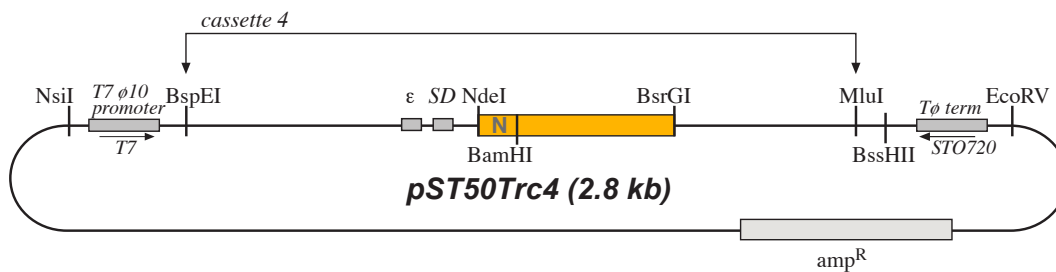
cassette 1 coding region 113 to 643  
N-term tag 113 to 154

location on DNA card E11  
plasmid # 59

antibiotic resistance ampicillin

antib. resist. coding region 930 to 1791

plasmid map:



pST50Trc4-HPCDHFR

**sequence** pST50Trc4-HPCDHFR Length: 3280 Type: N Check: 3355 ..  
(first 800 bp)

```
1 GGCACCATGC ATCGATCCCG CGAAATTAAT ACGACTCACT ATAGGGAGAC
51 CACAACGGTT TCCCTCCGGC TCCGGAATA ATTTTGTTTA ACTTTAAGAA
101 GGAGATATAC ATATGTCTGA AGATCAGGTA GATCCACGTT TAATCGACGG
151 TAAAGGATCC ATCAGTCTGA TTGCGGCGCT AGCGGTAGAT CGCGTTATCG
201 GCATGGAAAA CGCCATGCCA TGGAACCTGC CTGCCGATCT CGCCTGGTTT
251 AAACGCAACA CCTTAAATAA ACCCGTGATT ATGGGGCGCC ATACCTGGGA
301 ATCAATCGGT AGGCCTTTCG CCGGCCGCAA AAATATTATC CTCAGCAGTC
351 AACCCGGGAC CGATGATCGG GTTACCTGGG TTAAATCGGT CGACGAAGCC
401 ATCGCGGCGT GTGGTGACGT ACCAGAAATC ATGGTGATTG GCGGCGGACG
451 CGTTTATGAA CAGTTCTTGC CAAAAGCGCA AAAACTGTAT CTGACGCATA
501 TCGATGCAGA AGTGAAGGC GACACCCATT TTCCGGATTA CGAGCCGGAT
551 GACTGGGAAT CGGTATTCAG CGAATTCAC GATGCTGATG CGCAGAACTC
601 GCATAGCTAT TGTTTCGAAA TCCTCGAGCG TCGTGCCGGC TAATGTACAA
651 CGCGTGCGCG CTGATCCGGC TGCTAACAAA GCCCGAAAGG AAGCTGAGTT
701 GGCTGCTGCC ACCGCTGAGC AATAACTAGC ATAACCCCTT GGGCCTCTA
751 AACGGTCTT GAGGGGTTTT TTGCTGAAAG GAGGAACTAT ATCGGGATTA
```

# pST44 plasmid suite

Tan, Kern & Selleck, Prot. Expr. Purif.,  
40:385-395, 2005

plasmid **pST50Trc4-HISNDHFR**

cassette 1 coding region 113 to 676

location on DNA card E12

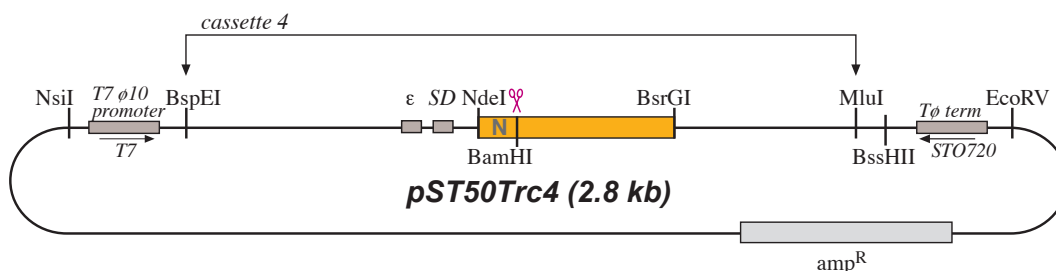
N-term tag 113 to 187

plasmid # 60

antibiotic resistance ampicillin

antib. resist. coding region 963 to 1824

plasmid map:



## pST50Trc4-HISNDHFR

**sequence** pST50Trc4-HISNDHFR Length: 3313 Type: N Check: 8574 ..  
(first 800 bp)

```
1 GGCACCATGC ATCGATCCCG CGAAATTAAT ACGACTCACT ATAGGGAGAC
51 CACAACGGTT TCCCTCCGGC TCCGGAATA ATTTTGTTTA ACTTTAAGAA
101 GGAGATATAC ATATGGGCAG CAGCCATCAT CATCATCATC ACAGCAGCGG
151 ATCTGGTGGT GGTGGTGGTG AAAACCTGTA CTTCCAGGGA TCCATCAGTC
201 TGATTGCGGC GCTAGCGGTA GATCGCGTTA TCGGCATGGA AAACGCCATG
251 CCATGGAACC TGCCTGCCGA TCTCGCCTGG TTTAAACGCA ACACCTTAAA
301 TAAACCCGTG ATTATGGGGC GCCATACCTG GGAATCAATC GGTAGGCCTT
351 TGCCCGGCCG CAAAATATT ATCCTCAGCA GTCAACCCGG GACCGATGAT
401 CGGGTTACCT GGGTTAAATC GGTCGACGAA GCCATCGCGG CGTGTGGTGA
451 CGTACCAGAA ATCATGGTGA TTGGCGGCGG ACGCGTTTAT GAACAGTTCT
501 TGCCAAAAGC GCAAAAAGT TATCTGACGC ATATCGATGC AGAAGTGGAA
551 GGCGACACCC ATTTTCCGGA TTACGAGCCG GATGACTGGG AATCGGTATT
601 CAGCGAATTC CACGATGCTG ATGCGCAGAA CTCGCATAGC TATTGTTTCG
651 AAATCCTCGA GCGTCGTGCC GGCTAATGTA CAACGCGTGC GCGCTGATCC
701 GGCTGCTAAC AAAGCCCGAA AGGAAGCTGA GTTGGCTGCT GCCACCGCTG
751 AGCAATAACT AGCATAACCC CTTGGGGCCT CTAACGGGT CTTGAGGGGT
```

# pST44 plasmid suite

Tan, Kern & Selleck, Prot. Expr. Purif.,  
40:385-395, 2005

plasmid **pST50Trc4-CBPNDHFR**

cassette 1 coding region 113 to 727

location on DNA card F1

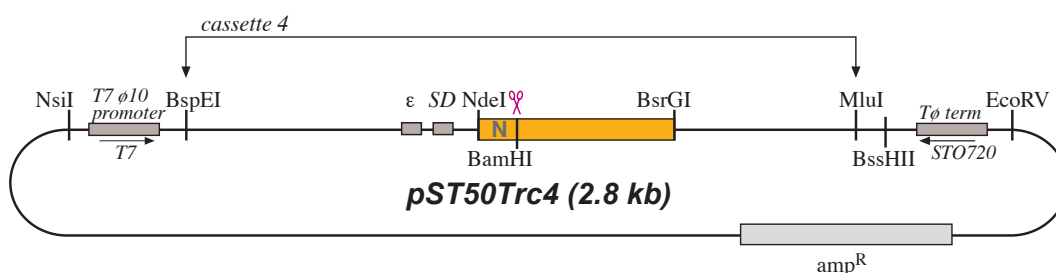
N-term tag 113 to 238

plasmid # 61

antibiotic resistance ampicillin

antib. resist. coding region 1014 to 1875

plasmid map:



## pST50Trc4-CBPNDHFR

**sequence** pST50Trc4-CBPNDHFR Length: 3364 Type: N Check: 3829 ..  
(first 800 bp)

```
1 GGCACCATGC ATCGATCCCG CGAAATTAAT ACGACTCACT ATAGGGAGAC
51 CACAACGGTT TCCCTCCGGC TCCGGAATA ATTTTGTTTA ACTTTAAGAA
101 GGAGATATAC ATATGTCTAA GCGACGATGG AAAAAGAATT TCATAGCCGT
151 CTCAGCAGCC AACCGCTTTA AGAAAATCTC ATCCTCCGGG GCACTTCTGG
201 GATCTGGTGG TGGTGGTGGT GAAAACCTGT ACTTCCAGGG ATCCATCAGT
251 CTGATTGCGG CGCTAGCGGT AGATCGCGTT ATCGGCATGG AAAACGCCAT
301 GCCATGGAAC CTGCCTGCCG ATCTCGCCTG GTTTAAACGC AACACCTTAA
351 ATAAACCCGT GATTATGGGG CGCCATACCT GGGAATCAAT CGGTAGGCCT
401 TTGCCCGGCC GCAAAAATAT TATCCTCAGC AGTCAACCCG GGACCGATGA
451 TCGGGTTACC TGGGTAAAT CGGTGACGA AGCCATCGCG GCGTGTGGTG
501 ACGTACCAGA AATCATGGTG ATTGGCGGCG GACGCGTTTA TGAACAGTTC
551 TTGCCAAAAG CGCAAAAAC TATCTGACG CATATCGATG CAGAAGTGGA
601 AGGCGACACC CATTTTCCGG ATTACGAGCC GGATGACTGG GAATCGGTAT
651 TCAGCGAATT CCACGATGCT GATGCGCAGA ACTCGCATAG CTATTGTTTC
701 GAAATCCTCG AGCGTCGTGC CGGCTAATGT ACAACGCGTG CGCGCTGATC
751 CGGCTGCTAA CAAAGCCCGA AAGGAAGCTG AGTTGGCTGC TGCCACCGCT
```

# pST44 plasmid suite

Tan, Kern & Selleck, Prot. Expr. Purif.,  
40:385-395, 2005

plasmid **pST50Trc4-STRNDHFR**

cassette 1 coding region 113 to 673

location on DNA card F2

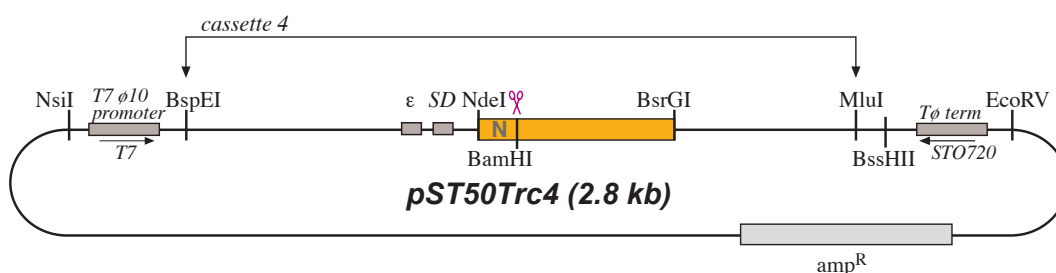
N-term tag 113 to 184

plasmid # 62

antibiotic resistance ampicillin

antib. resist. coding region 960 to 1821

plasmid map:



## pST50Trc4-STRNDHFR

**sequence** pST50Trc4-STRNDHFR Length: 3310 Type: N Check: 7893 ..  
(first 800 bp)

```
1 GGCACCATGC ATCGATCCCG CGAAATTAAT ACGACTCACT ATAGGGAGAC
51 CACAACGGTT TCCCTCCGGC TCCGGAATA ATTTTGTTTA ACTTTAAGAA
101 GGAGATATAC ATATGGCAAG CTGGAGCCAC CCGCAGTTCG AGAAAGGATC
151 TGGTGGTGGT GGTGGTGAAA ACCTGTACTT CCAGGGATCC ATCAGTCTGA
201 TTGCGGCGCT AGCGGTAGAT CGCGTTATCG GCATGGAAAA CGCCATGCCA
251 TGGAACTGC CTGCCGATCT CGCCTGGTTT AAACGCAACA CCTTAAATAA
301 ACCCGTGATT ATGGGGCGCC ATACCTGGGA ATCAATCGGT AGGCCTTTGC
351 CCGGCCGCAA AAATATTATC CTCAGCAGTC AACCCGGGAC CGATGATCGG
401 GTTACCTGGG TTAAATCGGT CGACGAAGCC ATCGCGGCGT GTGGTGACGT
451 ACCAGAAATC ATGGTGATTG GCGGCGGACG CGTTTATGAA CAGTTCTTGC
501 CAAAAGCGCA AAAACTGTAT CTGACGCATA TCGATGCAGA AGTGAAGGC
551 GACACCCATT TTCCGGATTA CGAGCCGGAT GACTGGGAAT CGGTATTCAG
601 CGAATTCAC GATGCTGATG CGCAGAACTC GCATAGCTAT TGTTTCGAAA
651 TCCTCGAGCG TCGTGCCGGC TAATGTACAA CGCGTGCGCG CTGATCCGGC
701 TGCTAACAAA GCCCGAAAGG AAGCTGAGTT GGCTGCTGCC ACCGCTGAGC
751 AATAACTAGC ATAACCCTT GGGCCTCTA AACGGTCTT GAGGGGTTTT
```

# pST44 plasmid suite

Tan, Kern & Selleck, Prot. Expr. Purif.,  
40:385-395, 2005

plasmid **pST50Trc4-FLAGNDHFR**

cassette 1 coding region 113 to 670

location on DNA card F3

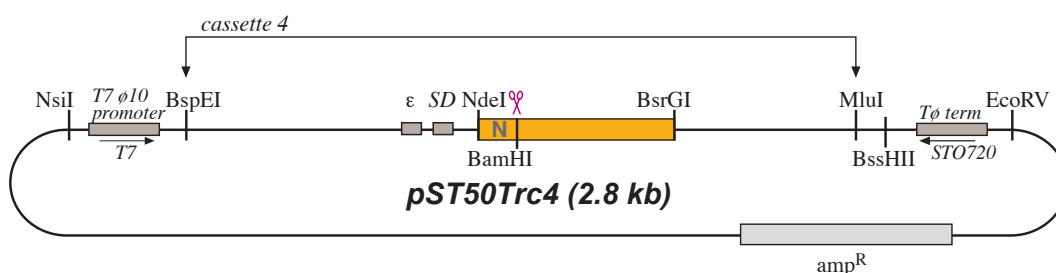
N-term tag 113 to 181

plasmid # 63

antibiotic resistance ampicillin

antib. resist. coding region 957 to 1818

plasmid map:



## pST50Trc4-FLAGNDHFR

**sequence** pST50Trc4-FLAGNDHFR Length: 3307 Type: N Check: 5520 ..  
(first 800 bp)

```
1 GGCACCATGC ATCGATCCCG CGAAATTAAT ACGACTCACT ATAGGGAGAC
51 CACAACGGTT TCCCTCCGGC TCCGGAATA ATTTTGTTTA ACTTTAAGAA
101 GGAGATATAC ATATGGGAGA CTACAAGGAC GATGATGACA AGGGATCTGG
151 TGGTGGTGGT GGTGAAAACC TGACTTCCA GGGATCCATC AGTCTGATTG
201 CGGCCTAGC GGTAGATCGC GTTATCGGCA TGGAAAACGC CATGCCATGG
251 AACCTGCCTG CCGATCTCGC CTGGTTTAAA CGCAACACCT TAAATAAACC
301 CGTGATTATG GGGCGCCATA CCTGGGAATC AATCGGTAGG CCTTTGCCCG
351 GCCGCAAAA TATTATCCTC AGCAGTCAAC CCGGACCGA TGATCGGGTT
401 ACCTGGGTTA AATCGGTCGA CGAAGCCATC GCGGCGTGTG GTGACGTACC
451 AGAAATCATG GTGATTGGCG GCGGACGCGT TTATGAACAG TTCTTGCCAA
501 AAGCGCAAAA ACTGTATCTG ACGCATATCG ATGCAGAAGT GGAAGGCGAC
551 ACCCATTTTC CGGATTACGA GCCGGATGAC TGGGAATCGG TATTCAGCGA
601 ATTCCACGAT GCTGATGCGC AGAACTCGCA TAGCTATTGT TTCGAAATCC
651 TCGAGCGTCG TGCCGGCTAA TGTACAACGC GTGCGCGCTG ATCCGGCTGC
701 TAACAAAGCC CGAAAGGAAG CTGAGTTGGC TGCTGCCACC GCTGAGCAAT
751 AACTAGCATA ACCCCTTGGG GCCTCTAAC GGTCTTGAG GGGTTTTTTG
```

# pST44 plasmid suite

Tan, Kern & Selleck, Prot. Expr. Purif.,  
40:385-395, 2005

plasmid **pST50Trc4-HPCNDHFR**

cassette 1 coding region 113 to 682

location on DNA card F4

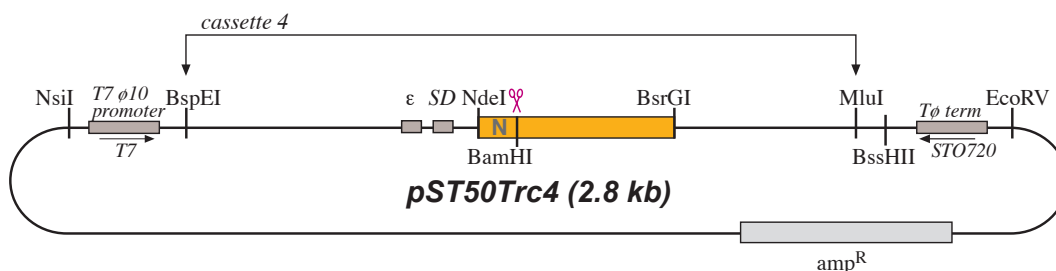
N-term tag 113 to 193

plasmid # 64

antibiotic resistance ampicillin

antib. resist. coding region 969 to 1830

plasmid map:



# pST50Trc4-HPCNDHFR

**sequence** pST50Trc4-HPCNDHFR Length: 3319 Type: N Check: 1510 ..  
(first 800 bp)

```
1 GGCACCATGC ATCGATCCCG CGAAATTAAT ACGACTCACT ATAGGGAGAC
51 CACAACGGTT TCCCTCCGGC TCCGGAATA ATTTTGTTTA ACTTTAAGAA
101 GGAGATATAC ATATGTCTGA AGATCAGGTA GATCCACGTT TAATCGACGG
151 TAAAGGATCT GGTGGTGGTG GTGGTGAAAA CCTGTACTTC CAGGGATCCA
201 TCAGTCTGAT TGCGGCGCTA GCGGTAGATC GCGTTATCGG CATGGAAAAC
251 GCCATGCCAT GGAACCTGCC TGCCGATCTC GCCTGGTTTA AACGCAACAC
301 CTAAATAAAA CCCGTGATTA TGGGGCGCCA TACCTGGGAA TCAATCGGTA
351 GGCCTTTGCC CGGCCGCAA AATATTATCC TCAGCAGTCA ACCCGGGACC
401 GATGATCGGG TTACCTGGGT TAAATCGGTC GACGAAGCCA TCGCGGCGTG
451 TGGTGACGTA CCAGAAATCA TGGTGATTGG CGGCGGACGC GTTTATGAAC
501 AGTTCTTGCC AAAAGCGCAA AACTGTATC TGACGCATAT CGATGCAGAA
551 GTGGAAGGCG ACACCCATTT TCCGGATTAC GAGCCGGATG ACTGGAATC
601 GGTATTCAGC GAATTCCACG ATGCTGATGC GCAGAACTCG CATAGCTATT
651 GTTTCGAAAT CCTCGAGCGT CGTGCCGGCT AATGTACAAC GCGTGCGCGC
701 TGATCCGGCT GCTAACAAAG CCCGAAAGGA AGCTGAGTTG GCTGCTGCCA
751 CCGCTGAGCA ATAAC TAGCA TAACCCCTTG GGCCTCTAA ACGGGTCTTG
```

# pST44 plasmid suite

Tan, Kern & Selleck, Prot. Expr. Purif.,  
40:385-395, 2005

plasmid **pST50Trc4-CBPHISNDHFR**

cassette 1 coding region 113 to 766

location on DNA card F5

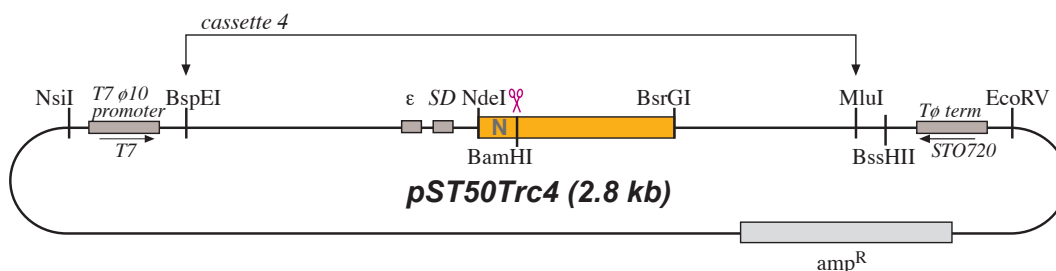
N-term tag 113 to 277

plasmid # 65

antibiotic resistance ampicillin

antib. resist. coding region 1053 to 1914

plasmid map:



## pST50Trc4-CBPHISNDHFR

**sequence** pST50Trc4-CBPHISNDHFR Length: 3403 Type: N Check: 4398 ..  
(first 800 bp)

```
1 GGCACCATGC ATCGATCCCG CGAAATTAAT ACGACTCACT ATAGGGAGAC
51 CACAACGGTT TCCCTCCGGC TCCGGAATA ATTTTGTTTA ACTTTAAGAA
101 GGAGATATAC ATATGTCTAA GCGACGATGG AAAAAGAATT TCATAGCCGT
151 CTCAGCAGCC AACCGCTTTA AGAAAATCTC ATCCTCCGGG GCACTTCTGG
201 GATCTGGCAG CAGCCATCAT CATCATCATC ACAGCAGCGG ATCTGGTGGT
251 GGTGGTGGTG AAAACCTGTA CTTCCAGGGA TCCATCAGTC TGATTGCGGC
301 GCTAGCGGTA GATCGCGTTA TCGGCATGGA AAACGCCATG CCATGGAACC
351 TGCCTGCCGA TCTCGCCTGG TTAAACGCA ACACCTTAAA TAAACCCGTG
401 ATTATGGGGC GCCATACCTG GGAATCAATC GGTAGGCCTT TGCCCGGCCG
451 CAAAAATATT ATCCTCAGCA GTCAACCCGG GACCGATGAT CGGGTTACCT
501 GGGTTAAATC GGTCGACGAA GCCATCGCGG CGTGTGGTGA CGTACCAGAA
551 ATCATGGTGA TTGGCGGCGG ACGCGTTTAT GAACAGTTCT TGCCAAAAGC
601 GCAAAAACCTG TATCTGACGC ATATCGATGC AGAAGTGGAA GGCGACACCC
651 ATTTTCCGGA TTACGAGCCG GATGACTGGG AATCGGTATT CAGCGAATTC
701 CACGATGCTG ATGCGCAGAA CTCGCATAGC TATTGTTTCG AAATCCTCGA
751 GCGTCGTGCC GGCTAATGTA CAACGCGTGC GCGCTGATCC GGCTGCTAAC
```

# pST44 plasmid suite

Tan, Kern & Selleck, Prot. Expr. Purif.,  
40:385-395, 2005

plasmid **pST50Trc4-STRHISNDHFR**

cassette 1 coding region 113 to 706

location on DNA card F6

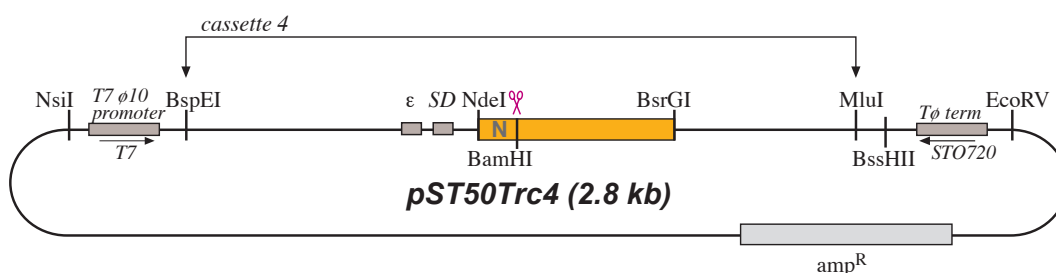
N-term tag 113 to 217

plasmid # 66

antibiotic resistance ampicillin

antib. resist. coding region 993 to 1854

plasmid map:



## pST50Trc4-STRHISNDHFR

**sequence** pST50Trc4-STRHISNDHFR Length: 3343 Type: N Check: 2089 ..  
(first 800 bp)

```
1 GGCACCATGC ATCGATCCCG CGAAATTAAT ACGACTCACT ATAGGGAGAC
51 CACAACGGTT TCCCTCCGGC TCCGGAATA ATTTTGTTTA ACTTTAAGAA
101 GGAGATATAC ATATGGCAAG CTGGAGCCAC CCGCAGTTCG AGAAAGGATC
151 TAGCCATCAT CATCATCATC ACAGCAGCGG ATCTGGTGGT GGTGGTGGTG
201 AAAACCTGTA CTTCCAGGGA TCCATCAGTC TGATTGCGGC GCTAGCGGTA
251 GATCGCGTTA TCGGCATGGA AAACGCCATG CCATGGAACC TGCCTGCCGA
301 TCTCGCCTGG TTAAACGCA ACACCTTAAA TAAACCCGTG ATTATGGGGC
351 GCCATACCTG GGAATCAATC GGTAGGCCTT TGCCCGGCCG CAAAATATT
401 ATCCTCAGCA GTCAACCCGG GACCGATGAT CGGGTTACCT GGGTTAAATC
451 GGTGACGAA GCCATCGCGG CGTGTGGTGA CGTACCAGAA ATCATGGTGA
501 TTGGCGGCGG ACGCGTTTAT GAACAGTTCT TGCCAAAAGC GCAAAAAGT
551 TATCTGACGC ATATCGATGC AGAAGTGGAA GGCGACACCC ATTTTCCGGA
601 TTACGAGCCG GATGACTGGG AATCGGTATT CAGCGAATTC CACGATGCTG
651 ATGCGCAGAA CTCGCATAGC TATTGTTTCG AAATCCTCGA GCGTCGTGCC
701 GGCTAATGTA CAACGCGTGC GCGCTGATCC GGCTGCTAAC AAAGCCCGAA
751 AGGAAGCTGA GTTGCTGCT GCCACCGCTG AGCAATAACT AGCATAACCC
```

# pST44 plasmid suite

Tan, Kern & Selleck, Prot. Expr. Purif.,  
40:385-395, 2005

plasmid **pST50Trc4-FLAGHISNDHFR**

cassette 1 coding region 113 to 709

location on DNA card F7

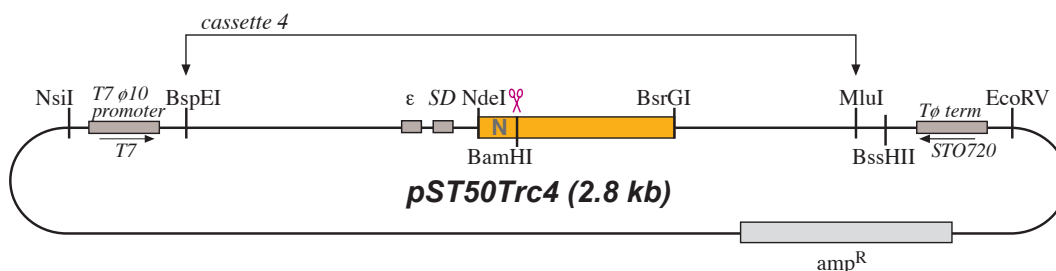
N-term tag 113 to 220

plasmid # 67

antibiotic resistance ampicillin

antib. resist. coding region 996 to 1857

plasmid map:



## pST50Trc4-FLAGHISNDHFR

**sequence** pST50Trc4-FLAGHISNDHFR Length: 3346 Type: N Check: 6089 ..  
(first 800 bp)

```
1 GGCACCATGC ATCGATCCCG CGAAATTAAT ACGACTCACT ATAGGGAGAC
51 CACAACGGTT TCCCTCCGGC TCCGGAATA ATTTTGTTTA ACTTTAAGAA
101 GGAGATATAC ATATGGGAGA CTACAAGGAC GATGATGACA AGGGATCTGG
151 CAGCAGCCAT CATCATCATC ATCACAGCAG CGGATCTGGT GGTGGTGGTG
201 GTGAAAACCT GTACTTCCAG GGATCCATCA GTCTGATTGC GGCCTAGCG
251 GTAGATCGCG TTATCGGCAT GGAAAACGCC ATGCCATGGA ACCTGCCTGC
301 CGATCTCGCC TGGTTTAAAC GCAACACCTT AAATAAACCC GTGATTATGG
351 GGCGCCATAC CTGGGAATCA ATCGGTAGGC CTTTGCCCGG CCGCAAAAAT
401 ATTATCCTCA GCAGTCAACC CGGGACCGAT GATCGGGTTA CCTGGGTAA
451 ATCGGTGCGC GAAGCCATCG CGGCGTGTGG TGACGTACCA GAAATCATGG
501 TGATTGGCGG CGGACGCGTT TATGAACAGT TCTTGCCAAA AGCGCAAAAA
551 CTGTATCTGA CGCATATCGA TGCAGAAGTG GAAGGCGACA CCCATTTTCC
601 GGATTACGAG CCGGATGACT GGAATCGGT ATTCAGCGAA TTCCACGATG
651 CTGATGCGCA GAACTCGCAT AGCTATTGTT TCGAAATCCT CGAGCGTCGT
701 GCCGGCTAAT GTACAACGCG TGCGCGCTGA TCCGGCTGCT AACAAAGCCC
751 GAAAGGAAGC TGAGTTGGCT GCTGCCACCG CTGAGCAATA ACTAGCATAA
```

# pST44 plasmid suite

Tan, Kern & Selleck, Prot. Expr. Purif.,  
40:385-395, 2005

plasmid **pST50Trc4-HPCHISNDHFR**

cassette 1 coding region 113 to 721

location on DNA card F8

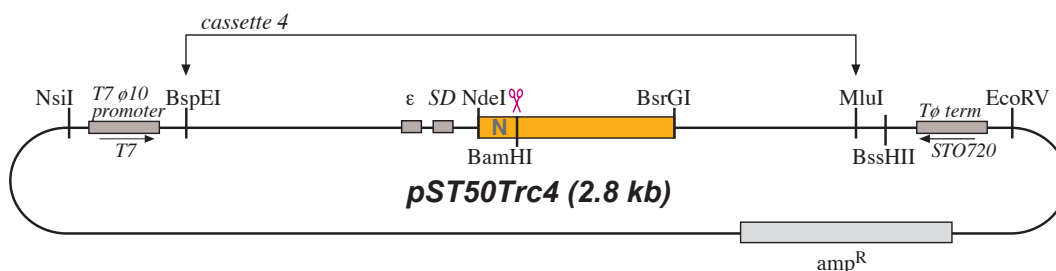
N-term tag 113 to 232

plasmid # 68

antibiotic resistance ampicillin

antib. resist. coding region 1008 to 1869

plasmid map:



## pST50Trc4-HPCHISNDHFR

**sequence** pST50Trc4-HPCHISNDHFR Length: 3358 Type: N Check: 4477 ..  
(first 800 bp)

```
1 GGCACCATGC ATCGATCCCG CGAAATTAAT ACGACTCACT ATAGGGAGAC
51 CACAACGGTT TCCCTCCGGC TCCGGAATA ATTTTGTTTA ACTTTAAGAA
101 GGAGATATAC ATATGTCTGA AGATCAGGTA GATCCACGTT TAATCGACGG
151 TAAAGGATCT GGCAGCAGCC ATCATCATCA TCATCACAGC AGCGGATCTG
201 GTGGTGTTGG TGGTGAAAAC CTGTA CTCC AGGGATCCAT CAGTCTGATT
251 GCGGCGTAG CGGTAGATCG CGTTATCGGC ATGGAAAACG CCATGCCATG
301 GAACCTGCCT GCCGATCTCG CCTGGTTTAA ACGCAACACC TTAATAAAC
351 CCGTGATTAT GGGGCGCCAT ACCTGGAAT CAATCGGTAG GCCTTTGCCC
401 GGCCGAAAA ATATTATCCT CAGCAGTCAA CCCGGGACCG ATGATCGGGT
451 TACCTGGGTT AAATCGGTCG ACGAAGCCAT CGCGGCGTGT GGTGACGTAC
501 CAGAAATCAT GGTGATTGGC GCGGACGCG TTTATGAACA GTTCTTGCCA
551 AAAGCGCAA AACTGTATCT GACGCATATC GATGCAGAAG TGGAAGGCGA
601 CACCCATTTT CCGGATTACG AGCCGGATGA CTGGGAATCG GTATTCAGCG
651 AATTCCACGA TGCTGATGCG CAGAACTCGC ATAGCTATTG TTTCGAAATC
701 CTCGAGCGTC GTGCCGCTA ATGTACAACG CGTGCGCGCT GATCCGGCTG
751 CTAACAAAGC CCGAAAGGAA GCTGAGTTGG CTGCTGCCAC CGCTGAGCAA
```

# pST44 plasmid suite

Tan, Kern & Selleck, Prot. Expr. Purif.,  
40:385-395, 2005

plasmid **pST50Trc4-DHFRHIS**

cassette 1 coding region 113 to 622

location on DNA card F9

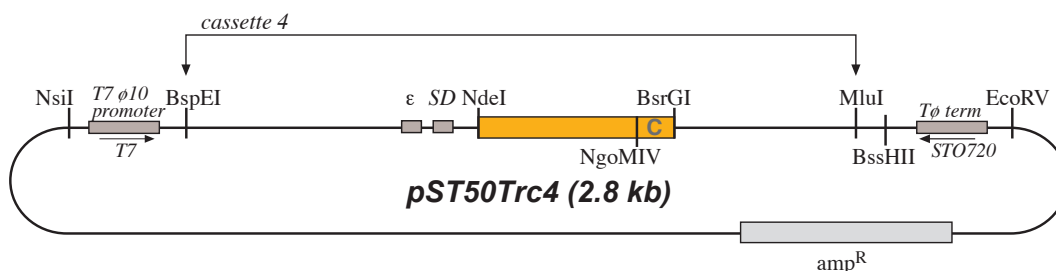
plasmid # 69

C-term tag 596 to 622

antibiotic resistance ampicillin

antib. resist. coding region 909 to 1770

plasmid map:



**sequence** pST50Trc4-DHFRHIS Length: 3259 Type: N Check: 5909 ..  
(first 800 bp)

```
1 GGCACCATGC ATCGATCCCG CGAAATTAAT ACGACTCACT ATAGGGAGAC
51 CACAACGGTT TCCCTCCGGC TCCGGAAATA ATTTTGTTTA ACTTTAAGAA
101 GGAGATATAC ATATGGGATC CATCAGTCTG ATTGCGGCGC TAGCGGTAGA
151 TCGCGTTATC GGCATGGAAA ACGCCATGCC ATGGAACCTG CCTGCCGATC
201 TCGCCTGGTT TAAACGCAAC ACCTTAAATA AACCCGTGAT TATGGGGCGC
251 CATACTGGG AATCAATCGG TAGGCCTTTG CCCGGCCGCA AAAATATTAT
301 CCTCAGCAGT CAACCCGGGA CCGATGATCG GGTTACCTGG GTTAAATCGG
351 TCGACGAAGC CATCGCGGCG TGTGGTGACG TACCAGAAAT CATGGTGATT
401 GGCGGCGGAC GCGTTTATGA ACAGTTCTTG CAAAAGCGC AAAAAGTGA
451 TCTGACGCAT ATCGATGCAG AAGTGAAGG CGACACCCAT TTTCCGGATT
501 ACGAGCCGGA TGAAGGGAA TCGGTATTCA GCGAATTCCA CGATGCTGAT
551 GCGCAGAACT CGCATAGCTA TTGTTTCGAA ATCCTCGAGC GTCGTGCCGG
601 CCACCACCAC CACCACCACT AATGTACAAC GCGTGCGCGC TGATCCGGCT
651 GCTAACAAAG CCCGAAAGGA AGCTGAGTTG GCTGCTGCCA CCGCTGAGCA
701 ATAAGTAGCA TAACCCCTTG GGCCTCTAA ACGGGTCTTG AGGGGTTTTT
751 TGCTGAAAGG AGGAACTATA TCGGGATTAG CCCGCCTAAT GAGCGGGCTT
```

# pST44 plasmid suite

Tan, Kern & Selleck, Prot. Expr. Purif.,  
40:385-395, 2005

plasmid **pST50Trc4-DHFRSTR**

cassette 1 coding region 113 to 634

location on DNA card F10

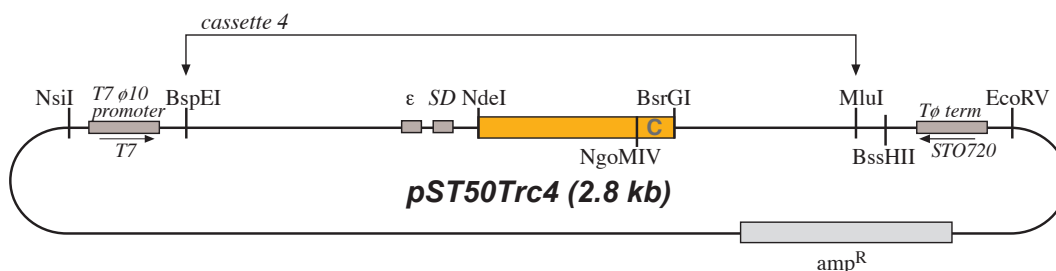
plasmid # 70

C-term tag 596 to 634

antibiotic resistance ampicillin

antib. resist. coding region 921 to 1782

plasmid map:



## pST50Trc4-DHFRSTR

**sequence** pST50Trc4-DHFRSTR Length: 3271 Type: N Check: 7376 ..  
(first 800 bp)

```
1 GGCACCATGC ATCGATCCCG CGAAATTAAT ACGACTCACT ATAGGGAGAC
51 CACAACGGTT TCCCTCCGGC TCCGGAATA ATTTTGTTTA ACTTTAAGAA
101 GGAGATATAC ATATGGGATC CATCAGTCTG ATTGCGGCGC TAGCGGTAGA
151 TCGCGTTATC GGCATGGAAA ACGCCATGCC ATGGAACCTG CCTGCCGATC
201 TCGCCTGGTT TAAACGCAAC ACCTTAAATA AACCCGTGAT TATGGGGCGC
251 CATACTGGG AATCAATCGG TAGGCCTTTG CCCGGCCGCA AAAATATTAT
301 CCTCAGCAGT CAACCCGGGA CCGATGATCG GGTTACCTGG GTTAAATCGG
351 TCGACGAAGC CATCGCGGCG TGTGGTGACG TACCAGAAAT CATGGTGATT
401 GGCGGCGGAC GCGTTTATGA ACAGTTCTTG CAAAAGCGC AAAAAGTGTG
451 TCTGACGCAT ATCGATGCAG AAGTGAAGG CGACACCCAT TTTCCGGATT
501 ACGAGCCGGA TGAAGGGAA TCGGTATTCA GCGAATTCCA CGATGCTGAT
551 GCGCAGAACT CGCATAGCTA TTGTTTCGAA ATCCTCGAGC GTCGTGCCGG
601 CAGCGCTTGG AGCCACCCGC AGTTCGAAAA ATAATGTACA ACGCGTGCGC
651 GCTGATCCGG CTGCTAACA AAGCCGAAAG GAAGCTGAGT TGGCTGCTGC
701 CACCGCTGAG CAATAACTAG CATAACCCCT TGGGCCTCT AAACGGGTCT
751 TGAGGGGTTT TTTGCTGAAA GGAGGAACTA TATCGGGATT AGCCCGCCTA
```

# pST44 plasmid suite

Tan, Kern & Selleck, Prot. Expr. Purif.,  
40:385-395, 2005

plasmid **pST50Trc4-DHFRFLAG**

cassette 1 coding region 113 to 628

location on DNA card F11

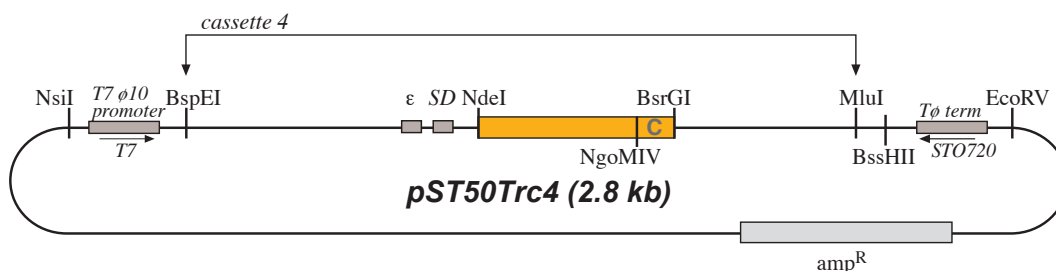
plasmid # 71

C-term tag 596 to 628

antibiotic resistance ampicillin

antib. resist. coding region 915 to 1776

plasmid map:



# pST50Trc4-DHFRFLAG

**sequence** pST50Trc4-DHFRFLAG Length: 3265 Type: N Check: 2438 ..  
(first 800 bp)

```
1 GGCACCATGC ATCGATCCCG CGAAATTAAT ACGACTCACT ATAGGGAGAC
51 CACAACGGTT TCCCTCCGGC TCCGGAAATA ATTTTGTTTA ACTTTAAGAA
101 GGAGATATAC ATATGGGATC CATCAGTCTG ATTGCGGCGC TAGCGGTAGA
151 TCGCGTTATC GGCATGGAAA ACGCCATGCC ATGGAACCTG CCTGCCGATC
201 TCGCCTGGTT TAAACGCAAC ACCTTAAATA AACCCGTGAT TATGGGGCGC
251 CATACTGGG AATCAATCGG TAGGCCTTTG CCCGGCCGCA AAAATATTAT
301 CCTCAGCAGT CAACCCGGGA CCGATGATCG GGTTACCTGG GTTAAATCGG
351 TCGACGAAGC CATCGCGGCG TGTGGTGACG TACCAGAAAT CATGGTGATT
401 GGCGGCGGAC GCGTTTATGA ACAGTTCTTG CAAAAGCGC AAAAAGTGA
451 TCTGACGCAT ATCGATGCAG AAGTGAAGG CGACACCCAT TTTCCGGATT
501 ACGAGCCGGA TGAAGGGAA TCGGTATTCA GCGAATTCCA CGATGCTGAT
551 GCGCAGAACT CGCATAGCTA TTGTTTCGAA ATCCTCGAGC GTCGTGCCGG
601 CGACTACAAG GACGATGATG ACAAGTAATG TACAACGCGT GCGCGCTGAT
651 CCGGCTGCTA ACAAAGCCCG AAAGGAAGCT GAGTTGGCTG CTGCCACCGC
701 TGAGCAATAA CTAGCATAAC CCCTTGGGGC CTCTAACCGG GTCTTGAGGG
751 GTTTTTTGCT GAAAGGAGGA ACTATATCGG GATTAGCCCG CCTAATGAGC
```

# pST44 plasmid suite

Tan, Kern & Selleck, Prot. Expr. Purif.,  
40:385-395, 2005

plasmid **pST50Trc4-DHFRCYD**

cassette 1 coding region 113 to 619

location on DNA card F12

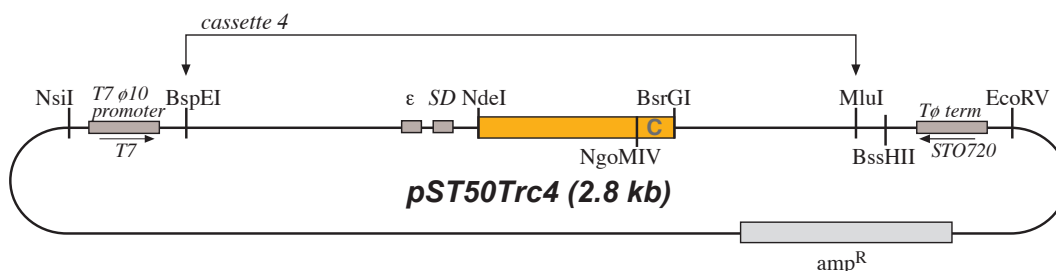
plasmid # 72

C-term tag 596 to 619

antibiotic resistance ampicillin

antib. resist. coding region 906 to 1767

plasmid map:



## pST50Trc4-DHFRCYD

**sequence** pST50Trc4-DHFRCYD Length: 3256 Type: N Check: 9516 ..  
(first 800 bp)

```
1 GGCACCATGC ATCGATCCCG CGAAATTAAT ACGACTCACT ATAGGGAGAC
51 CACAACGGTT TCCCTCCGGC TCCGGAAATA ATTTTGTTTA ACTTTAAGAA
101 GGAGATATAC ATATGGGATC CATCAGTCTG ATTGCGGCGC TAGCGGTAGA
151 TCGCGTTATC GGCATGGAAA ACGCCATGCC ATGGAACCTG CCTGCCGATC
201 TCGCCTGGTT TAAACGCAAC ACCTTAAATA AACCCGTGAT TATGGGGCGC
251 CATACTGGG AATCAATCGG TAGGCCTTTG CCCGGCCGCA AAAATATTAT
301 CCTCAGCAGT CAACCCGGGA CCGATGATCG GGTTACCTGG GTTAAATCGG
351 TCGACGAAGC CATCGCGGCG TGTGGTGACG TACCAGAAAT CATGGTGATT
401 GGCGGCGGAC GCGTTTATGA ACAGTTCTTG CAAAAGCGC AAAAAGTGA
451 TCTGACGCAT ATCGATGCAG AAGTGAAGG CGACACCCAT TTTCCGGATT
501 ACGAGCCGGA TGAAGGGAA TCGGTATTCA GCGAATTCCA CGATGCTGAT
551 GCGCAGAACT CGCATAGCTA TTGTTTCGAA ATCCTCGAGC GTCGTGCCGG
601 CACCGAATTT TGCCTTAAT GTACAACGCG TGCGCGCTGA TCCGGCTGCT
651 AACAAAGCCC GAAAGGAAGC TGAGTTGGCT GCTGCCACCG CTGAGCAATA
701 ACTAGCATAA CCCCTTGGGG CCTCTAAACG GGTCTTGAGG GGTTTTTTGC
751 TGAAAGGAGG AACTATATCG GGATTAGCCC GCCTAATGAG CGGGCTTTTT
```

# pST44 plasmid suite

Tan, Kern & Selleck, Prot. Expr. Purif.,  
40:385-395, 2005

plasmid **pST44**

cassette 1 coding region to

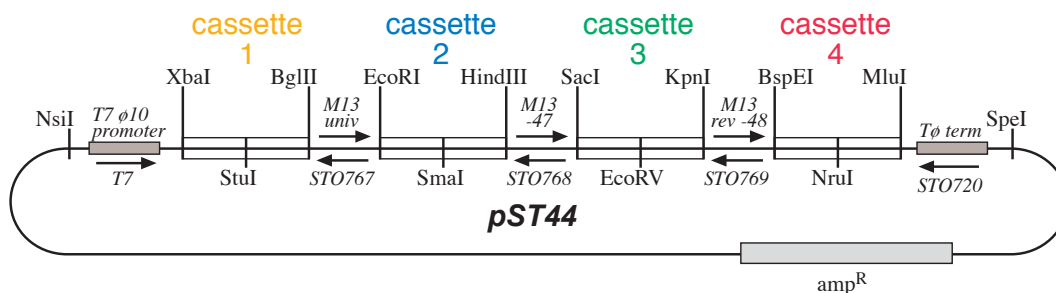
location on DNA card G1

plasmid # 73

antibiotic resistance ampicillin

antib. resist. coding region 470 to 1331

plasmid map:



## pST44

**sequence** pST44 Length: 2820 Type: N Check: 8843 ..  
(first 800 bp)

```
1 GGCACCATGC ATCGATCCCG CGAAATTAAT ACGACTCACT ATAGGGAGAC
51 CACAACGGTT TCCCTCTAGA AGGCTAGAT CTTGTAAAAC GACGGCCAGT
101 GAATTCCCCG GGAAGCTTCG CCAGGGTTTT CCCAGTCGAG CTCGATATCG
151 GTACCAGCGG ATAACAATTT CACATCCGGA TTCGCGAACG CGTCTCGAGA
201 GATCCGGCTG CTAACAAAGC CCGAAAGGAA GCTGAGTTGG CTGCTGCCAC
251 CGCTGAGCAA TAACTAGCAT AACCCCTTGG GGCCTCTAAA CGGGTCTTGA
301 GGGGTTTTTT GCTGAAAGGA GGA ACTATAT CCGACTAGTA GCCCGCTAA
351 TGAGCGGGCT TTTTTTAAAT TCCCCTATTT GTTTATTTTT CTAATACAT
401 TCAAATATGT ATCCGCTCAT GAGACAATAA CCCTGATAAA TGCTTCAATA
451 ATATTGAAAA AGGAAGAGTA TGAGTATTCA ACATTTCCGT GTCGCCCTTA
501 TTCCTTTTTT TGCGGCATT TGCCTTCCTG TTTTGTCTCA CCCAGAAACG
551 CTCGTGAAAG TAAAAGACGC AGAGGACCAA TTGGGGGCAC GAGTGGGATA
601 CATAGAACTG GACTTGAATA GCGGTAAAAT CCTTGAGAGT TTTGCCCCTG
651 AAGAGCGTTT TCCAATGATG AGCACTTTCA AAGTTCTGCT ATGTGGAGCA
701 GTATTATCCC GTGTAGATGC GGGCAAGAG CAACTCGGAC GACGAATACA
751 CTATTCGCAG AATGACTTGG TTGAATACTC CCCAGTGACA GAAAAGCACC
```

# pST44 plasmid suite

Tan, Kern & Selleck, Prot. Expr. Purif.,  
40:385-395, 2005

plasmid **pET3aTr**

cassette 1 coding region 4132 to

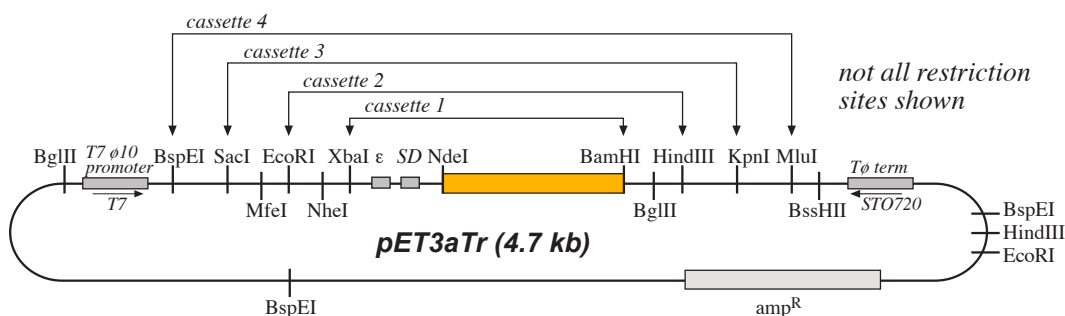
location on DNA card G2

plasmid # 74

antibiotic resistance ampicillin

antib. resist. coding region 209 to 1070

plasmid map:



**sequence** pET3aTr Length: 4718 Type: N Check: 1939 ..  
(first 800 bp)

```
1 TTCTTGAAGA CGAAAGGGCC TCGTGATACG CCTATTTTTA TAGGTTAATG
51 TCATGATAAT AATGGTTTCT TAGACGTCAG GTGGCACTTT TCGGGGAAAT
101 GTGCGCGGAA CCCCTATTTG TTTATTTTTC TAAATACATT CAAATATGTA
151 TCCGCTCATG AGACAATAAC CCTGATAAAT GCTTCAATAA TATTGAAAAA
201 GGAAGAGTAT GAGTATTCAA CATTTCCTGT TCGCCCTTAT TCCCTTTTTT
251 GCGGCATTTT GCCTTCTGT TTTTGCTCAC CCAGAAACGC TGGTGAAAGT
301 AAAAGATGCT GAAGATCAGT TGGGTGCACG AGTGGGTTAC ATCGAACTGG
351 ATCTCAACAG CGGTAAGATC CTTGAGAGTT TTCGCCCGA AGAACGTTTT
401 CCAATGATGA GCACTTTTAA AGTTCTGCTA TGTGGCGCGG TATTATCCCG
451 TGTTGACGCC GGGCAAGAGC AACTCGGTCG CCGCATAAC TATTCTCAGA
501 ATGACTTGGT TGAGTACTCA CCAGTCACAG AAAAGCATCT TACGGATGGC
551 ATGACAGTAA GAGAATTATG CAGTGCTGCC ATAACCATGA GTGATAACAC
601 TCGGCAAC TTACTTCTGA CAACGATCGG AGGACCGAAG GAGCTAACCG
651 CTTTTTGGCA CAACATGGGG GATCATGTAA CTCGCCTTGA TCGTTGGGAA
701 CCGGAGCTGA ATGAAGCCAT ACCAAACGAC GAGCGTGACA CCACGATGCC
751 TGCAGCAATG GCAACAACGT TGCGCAAAC ATTAACCTGGC GAACTACTTA
```

# pST44 plasmid suite

Tan, Kern & Selleck, Prot. Expr. Purif.,  
40:385-395, 2005

plasmid **pST39**

cassette 1 coding region to

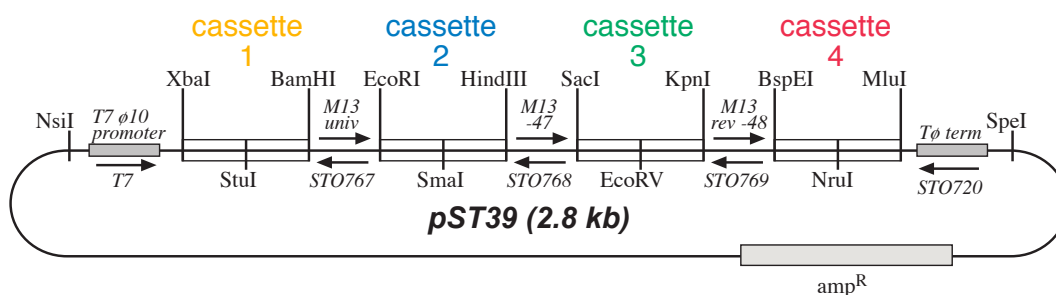
location on DNA card G3

plasmid # 75

antibiotic resistance ampicillin

antib. resist. coding region 489 to 1350

plasmid map:



## pST39

**sequence** pST39 Length: 2839 Type: N Check: 7774 ..  
(first 800 bp)

```
1 GGCACCATGC ATCGATCCCG CGAAATTAAT ACGACTCACT ATAGGGAGAC
51 CACAACGGTT TCCCTCTAGA AGGCTCGGA TCCGGGCCCT GTACAAGATC
101 CTGTAAAACG ACGGCCAGTG AATCCCCGG GAAGCTTCGC CAGGGTTTTC
151 CCAGTCGAGC TCGATATCGG TACCAGCGGA TAACAATTC ACATCCGGAT
201 TCGCGAACGC GTCTCGAGAG ATCCGGCTGC TAACAAAGCC CGAAAGGAAG
251 CTGAGTTGGC TGCTGCCACC GCTGAGCAAT AACTAGCATA ACCCCTTGGG
301 GCCTCTAAC GGGTCTTGAG GGGTTTTTTG CTGAAAGGAG GAACTATATC
351 CGACTAGTAG CCCGCCTAAT GAGCGGGCTT TTTTAAATT CCCTATTTG
401 TTTATTTTTC TAAATACATT CAAATATGTA TCCGCTCATG AGACAATAAC
451 CCTGATAAAT GCTTCAATAA TATTGAAAAA GGAAGAGTAT GAGTATTCAA
501 CATTTCCGTG TCGCCCTTAT TCCCTTTTTT GCGGCATTTT GCCTTCCTGT
551 TTTTGCTCAC CCAGAAACGC TCGTGAAAGT AAAAGACGCA GAGGACCAAT
601 TGGGGGCACG AGTGGGATAC ATAGAACTGG ACTTGAATAG CGGTAAAATC
651 CTTGAGAGTT TTCGCCCTGA AGAGCGTTTT CCAATGATGA GCACTTTCAA
701 AGTTCTGCTA TGTGGAGCAG TATTATCCCG TGTAGATGCG GGGCAAGAGC
751 AACTCGGACG ACGAATACAC TATTCGCAGA ATGACTTGGT TGAATACTCC
```